

ART. A585BCX+A585A

Built-in shower mixer - Handle in CARRARA WHITE MARBLE

- handles
- 2-way diverter with turning knob
- with ECO SYSTEM
- 1/2" inlets
- soundproof

Date

Project/Comments:

External piece

- | | |
|---|---------------|
| <input type="checkbox"/> Chrome | 27 02 A585BCX |
| <input type="checkbox"/> Matt Gun Metal PVD | 27 P5 A585BCX |
| <input type="checkbox"/> Matt British Gold PVD | 27 P6 A585BCX |
| <input type="checkbox"/> Matt Copper PVD | 27 P9 A585BCX |
| <input type="checkbox"/> Brushed Stainless Steel | 27 93 A585BCX |

Built-in piece

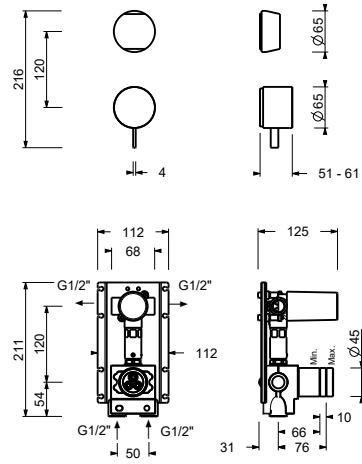
- | | |
|--------------------------|-------------|
| <input type="checkbox"/> | 17 00 A585A |
|--------------------------|-------------|

TOTAL PRICE

- | | |
|--|---------------|
| <input type="checkbox"/> Chrome | 27 02 A585BCX |
| <input type="checkbox"/> Matt Gun Metal PVD | 27 P5 A585BCX |
| <input type="checkbox"/> Matt British Gold PVD | 27 P6 A585BCX |
| <input type="checkbox"/> Matt Copper PVD | 27 P9 A585BCX |
| <input type="checkbox"/> Brushed Stainless Steel | 27 93 A585BCX |

ART. A585BCX+A585A

Built-in shower mixer - Handle in CARRARA WHITE MARBLE



Way number 1

Pressure(bar)	Flow rate (l/min)
0.5	8.44
1	11.87
2	16.79
3	20.5
4	23.76

Way number 2

Pressure(bar)	Flow rate (l/min)
0.5	7.45
1	10.47
2	14.59
3	17.9
4	20.7