



## ART. A785B+A785A

### Built-in shower mixer

- handles
- 2-way diverter with turning knob
- 1/2" inlets
- soundproof

Date \_\_\_\_\_

Project/Comments: \_\_\_\_\_  
 \_\_\_\_\_  
 \_\_\_\_\_  
 \_\_\_\_\_  
 \_\_\_\_\_  
 \_\_\_\_\_

#### External piece

- Chrome 27 02 A785B
- Matt Gun Metal PVD 27 P5 A785B
- Matt British Gold PVD 27 P6 A785B
- Matt Copper PVD 27 P9 A785B
- Brushed Stainless Steel** 27 93 A785B

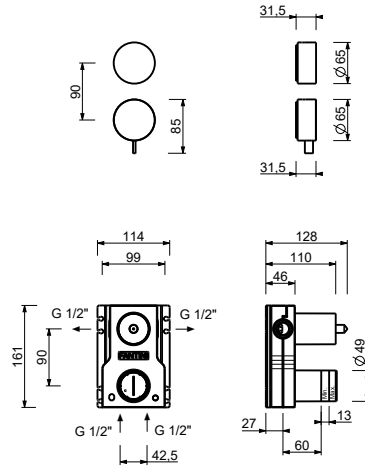
#### Built-in piece

- 44 00 A785A

#### TOTAL PRICE

- Chrome 27 02 A785B
- Matt Gun Metal PVD 27 P5 A785B
- Matt British Gold PVD 27 P6 A785B
- Matt Copper PVD 27 P9 A785B
- Brushed Stainless Steel 27 93 A785B

**ART. A785B+A785A**  
**Built-in shower mixer**



**Way number 1**

Pressure(bar)	Flow rate (l/min)
0.5	8.44
1	11.87
2	16.79
3	20.5
4	23.76

**Way number 2**

Pressure(bar)	Flow rate (l/min)
0.5	7.45
1	10.47
2	14.59
3	17.9
4	20.7