**ART. Y181B+M585A****Monomando ducha empotrado**

- manetas
- desviador giratorio 2 salidas
- entradas de 1/2"
- aislamiento acústico

Fecha**Proyecto/Comentarios****Parte externa**

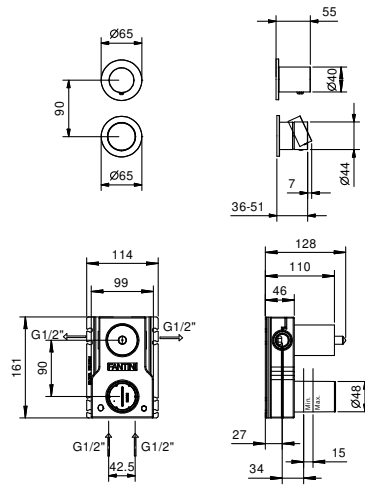
- | | |
|---|-------------|
| <input type="checkbox"/> Matt Gun Metal PVD | 33 P5 Y181B |
| <input type="checkbox"/> Acero Cepillado | 33 93 Y181B |

Parte empotrable

- | | |
|--------------------------|-------------|
| <input type="checkbox"/> | 44 00 M585A |
|--------------------------|-------------|

PRECIO TOTAL

- | | |
|---|-------------|
| <input type="checkbox"/> Matt Gun Metal PVD | 33 P5 Y181B |
| <input type="checkbox"/> Acero Cepillado | 33 93 Y181B |

ART. Y181B+M585A
Monomando ducha empotrado**Salida 1**

| Presión(bar) | Caudal (l/min) |
|--------------|----------------|
| 0.5 | 8.44 |
| 1 | 11.87 |
| 2 | 16.79 |
| 3 | 20.5 |
| 4 | 23.76 |

Salida 2

| Presión(bar) | Caudal (l/min) |
|--------------|----------------|
| 0.5 | 7.45 |
| 1 | 10.47 |
| 2 | 14.59 |
| 3 | 17.9 |
| 4 | 20.7 |