

## ART. T413B+R010A

### Wall-mount washbasin mixer

- spout projection 22 cm
- handles
- flow restrictor 5 l/min at 3 bar
- 90° ceramic cartridge
- 1/2" inlets
- WITHOUT WASTE

Date \_\_\_\_\_

Project/Comments: \_\_\_\_\_  
 \_\_\_\_\_  
 \_\_\_\_\_  
 \_\_\_\_\_  
 \_\_\_\_\_  
 \_\_\_\_\_

#### External piece

- Matt Gun Metal PVD 20 P5 T413B
- Brushed Stainless Steel - Red** 20 93 T413B09
- Brushed Stainless Steel** 20 93 T413B

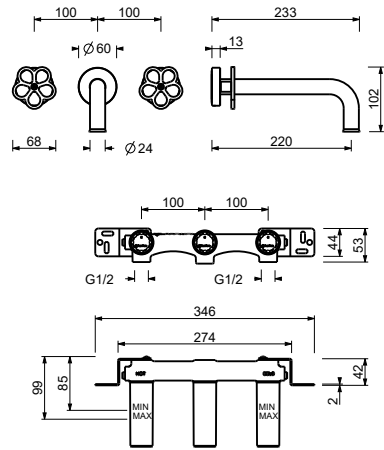
#### Built-in piece

- 44 00 R010A

#### TOTAL PRICE

- Matt Gun Metal PVD 20 P5 T413B
- Brushed Stainless Steel - Red 20 93 T413B09
- Brushed Stainless Steel 20 93 T413B

**ART. T413B+R010A**  
**Wall-mount washbasin mixer**



• **Integrated aerator**

Pressure(bar)	Flow rate (l/min)
0.5	3.46
1	4.62
2	5.58
3	5.53
4	5.64