



ART. T584B+R084A

Built-in shower mixer

- handles
- 2-way diverter with turning knob
- FIT handshower
- water plug with showerholder
- 150 cm PVC flexible
- 1/2" inlets

Date _____

Project/Comments: _____

External piece

- Matt Gun Metal PVD 20 P5 T584B
- Brushed Stainless Steel - Red** 20 93 T584B09
- Brushed Stainless Steel** 20 93 T584B

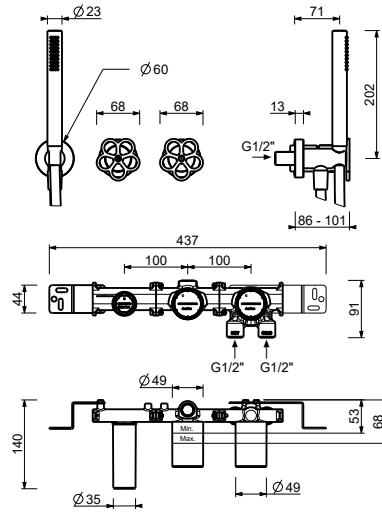
Built-in piece

- 44 00 R084A

TOTAL PRICE

- Matt Gun Metal PVD 20 P5 T584B
- Brushed Stainless Steel - Red 20 93 T584B09
- Brushed Stainless Steel 20 93 T584B

ART. T584B+R084A
Built-in shower mixer



Way number 1

Pressure(bar)	Flow rate (l/min)
0.5	8.64
1	12.01
2	16.82
3	20.39
4	23.37

• handshower

Pressure(bar)	Flow rate (l/min)
0.5	4.4
1	6.32
2	8.18
3	8.75
4	8.4