



## ART. H790B+H590A

### Stop valve

- ON/OFF button with flow rate adjustment Screen-printing on showerhead
- soundproof
- for horizontal and vertical installation
- 1/2" inlets

### Date

---

### Project/Comments:

---



---



---



---



---



---



---

#### External piece

- |  |             |
|--|-------------|
| <input type="checkbox"/> Chrome                | 87 02 H790B |
| <input type="checkbox"/> Polished Nickel PVD   | 87 95 H790B |
| <input type="checkbox"/> Matt Gun Metal PVD    | 87 P5 H790B |
| <input type="checkbox"/> Matt British Gold PVD | 87 P6 H790B |
| <input type="checkbox"/> Matt Copper PVD       | 87 P9 H790B |
| <input type="checkbox"/> Pure Brass PVD        | 87 Q7 H790B |
| <input type="checkbox"/> Raw Metal PVD         | 87 Q8 H790B |

#### Built-in piece

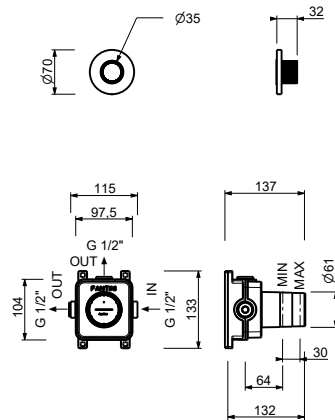
- |                          |             |
|--------------------------|-------------|
| <input type="checkbox"/> | 44 00 H590A |
|--------------------------|-------------|

#### TOTAL PRICE

- |  |             |
|--|-------------|
| <input type="checkbox"/> Chrome                | 87 02 H790B |
| <input type="checkbox"/> Polished Nickel PVD   | 87 95 H790B |
| <input type="checkbox"/> Matt Gun Metal PVD    | 87 P5 H790B |
| <input type="checkbox"/> Matt British Gold PVD | 87 P6 H790B |
| <input type="checkbox"/> Matt Copper PVD       | 87 P9 H790B |
| <input type="checkbox"/> Pure Brass PVD        | 87 Q7 H790B |
| <input type="checkbox"/> Raw Metal PVD         | 87 Q8 H790B |

# ICONA DECO

## ART. H790B+H590A Stop valve



### Way number 1

Pressure(bar)	Flow rate (l/min)
0.5	4.48
1	14.23
2	21.17
3	26.38
4	30.71