



## ART. H772B+H572A

### Monomando termostático ducha empotrado 3/4"

- maneta
- botones ON/OFF con ajuste de caudal
- aislamiento acústico
- solo para montaje horizontal
- entradas de 3/4"
- 2 salidas de 1/2"

### Fecha

### Proyecto/Comentarios

#### Parte externa

- |                          |                       |             |
|--------------------------|-----------------------|-------------|
| <input type="checkbox"/> | Cromo                 | 87 02 H772B |
| <input type="checkbox"/> | Polished Nickel PVD   | 87 95 H772B |
| <input type="checkbox"/> | Matt Gun Metal PVD    | 87 P5 H772B |
| <input type="checkbox"/> | Matt British Gold PVD | 87 P6 H772B |
| <input type="checkbox"/> | Matt Copper PVD       | 87 P9 H772B |
| <input type="checkbox"/> | Pure Brass PVD        | 87 Q7 H772B |
| <input type="checkbox"/> | Raw Metal PVD         | 87 Q8 H772B |

#### Parte empotrable

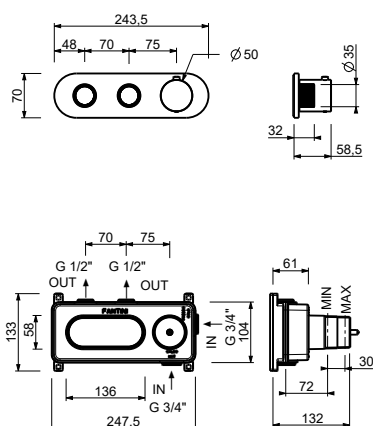
- |                          |             |
|--------------------------|-------------|
| <input type="checkbox"/> | 44 00 H572A |
|--------------------------|-------------|

#### PRECIO TOTAL

- |                          |                       |             |
|--------------------------|-----------------------|-------------|
| <input type="checkbox"/> | Cromo                 | 87 02 H772B |
| <input type="checkbox"/> | Polished Nickel PVD   | 87 95 H772B |
| <input type="checkbox"/> | Matt Gun Metal PVD    | 87 P5 H772B |
| <input type="checkbox"/> | Matt British Gold PVD | 87 P6 H772B |
| <input type="checkbox"/> | Matt Copper PVD       | 87 P9 H772B |
| <input type="checkbox"/> | Pure Brass PVD        | 87 Q7 H772B |
| <input type="checkbox"/> | Raw Metal PVD         | 87 Q8 H772B |

## ART. H772B+H572A

Monomando termostático ducha empotrado 3/4"



### Salida 1

Presión(bar)	Caudal (l/min)
0.5	5.81
1	9.1
2	13.5
3	16.5
4	19.3

### Salida 2

Presión(bar)	Caudal (l/min)
0.5	5.3
1	8.5
2	12.8
3	15.6
4	18.5