



ART. H572B+H572A

3/4" built-in thermostatic shower mixer

- handle
- ON/OFF buttons with flow rate adjustment
- soundproof
- for horizontal installation only
- 3/4" inlets
- nos. 2 1/2" outlets

Date

Project/Comments:

External piece

- | | |
|--|-------------|
| <input type="checkbox"/> Chrome | 87 02 H572B |
| <input type="checkbox"/> Polished Nickel PVD | 87 95 H572B |
| <input type="checkbox"/> Matt Gun Metal PVD | 87 P5 H572B |
| <input type="checkbox"/> Matt British Gold PVD | 87 P6 H572B |
| <input type="checkbox"/> Matt Copper PVD | 87 P9 H572B |
| <input type="checkbox"/> Golden Look PVD | 87 S9 H572B |

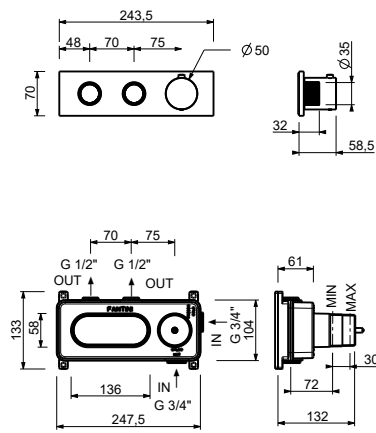
Built-in piece

- | | |
|--------------------------|-------------|
| <input type="checkbox"/> | 44 00 H572A |
|--------------------------|-------------|

TOTAL PRICE

- | | |
|--|-------------|
| <input type="checkbox"/> Chrome | 87 02 H572B |
| <input type="checkbox"/> Polished Nickel PVD | 87 95 H572B |
| <input type="checkbox"/> Matt Gun Metal PVD | 87 P5 H572B |
| <input type="checkbox"/> Matt British Gold PVD | 87 P6 H572B |
| <input type="checkbox"/> Matt Copper PVD | 87 P9 H572B |
| <input type="checkbox"/> Golden Look PVD | 87 S9 H572B |

ART. H572B+H572A
3/4" built-in thermostatic shower mixer



Way number 1

Pressure(bar)	Flow rate (l/min)
0.5	5.81
1	9.1
2	13.5
3	16.5
4	19.3

Way number 2

Pressure(bar)	Flow rate (l/min)
0.5	5.3
1	8.5
2	12.8
3	15.6
4	18.5