

ART. P685B+M685A

Built-in shower mixer

- handles
- 2-way diverter with turning knob
- 1/2" inlets
- soundproof
- for horizontal installation only

Date _____

Project/Comments: _____

External piece

- | | |
|---|-------------|
| <input type="checkbox"/> Matt Gun Metal PVD | 47 P5 P685B |
| <input type="checkbox"/> Pure Brass PVD | 47 Q7 P685B |
| <input type="checkbox"/> Raw Metal PVD | 47 Q8 P685B |

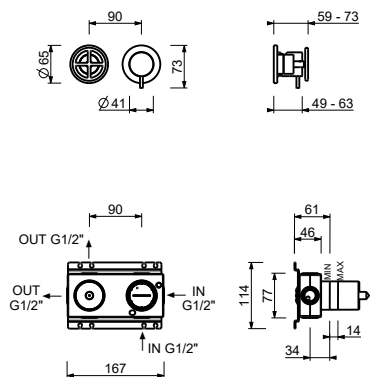
Built-in piece

- | | |
|--------------------------|-------------|
| <input type="checkbox"/> | 44 00 M685A |
|--------------------------|-------------|

TOTAL PRICE

- | | |
|---|-------------|
| <input type="checkbox"/> Matt Gun Metal PVD | 47 P5 P685B |
| <input type="checkbox"/> Pure Brass PVD | 47 Q7 P685B |
| <input type="checkbox"/> Raw Metal PVD | 47 Q8 P685B |

ART. P685B+M685A
Built-in shower mixer



Way number 1

Pressure(bar)	Flow rate (l/min)
0.5	8.44
1	11.7
2	16.47
3	20.34
4	23.43

Way number 2

Pressure(bar)	Flow rate (l/min)
0.5	7.45
1	10.47
2	14.59
3	17.9
4	20.7