



ART. R411B+M111A

Wall-mount washbasin mixer

- spout projection 16 cm
- handle
- flow restrictor 5 l/min at 3 bar
- 1/2" inlets
- WITHOUT WASTE

Date

Project/Comments:

External piece

<input type="checkbox"/> Chrome	53 02 R411B
<input type="checkbox"/> Matt Black	53 13 R411B
<input type="checkbox"/> Polished Nickel PVD	53 95 R411B
<input type="checkbox"/> Matt Gun Metal PVD	53 P5 R411B
<input type="checkbox"/> Matt British Gold PVD	53 P6 R411B
<input type="checkbox"/> Matt Copper PVD	53 P9 R411B
<input type="checkbox"/> Deep Black PVD	53 S1 R411B
<input type="checkbox"/> Mokka PVD	53 S5 R411B
<input type="checkbox"/> Brushed Steel Look PVD	53 92 R411B
<input type="checkbox"/> Pure Brass PVD	53 Q7 R411B
<input type="checkbox"/> Raw Metal PVD	53 Q8 R411B

Built-in piece

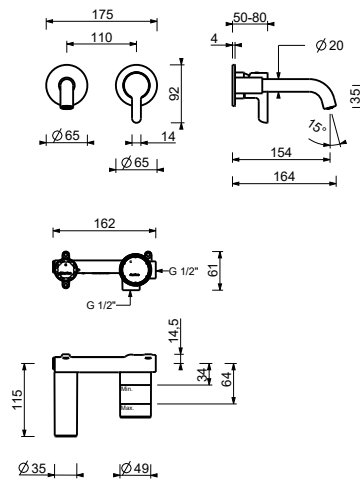
<input type="checkbox"/>	44 00 M111A
--------------------------	-------------

TOTAL PRICE

<input type="checkbox"/> Chrome	53 02 R411B
<input type="checkbox"/> Matt Black	53 13 R411B
<input type="checkbox"/> Polished Nickel PVD	53 95 R411B
<input type="checkbox"/> Matt Gun Metal PVD	53 P5 R411B
<input type="checkbox"/> Matt British Gold PVD	53 P6 R411B
<input type="checkbox"/> Matt Copper PVD	53 P9 R411B
<input type="checkbox"/> Deep Black PVD	53 S1 R411B
<input type="checkbox"/> Mokka PVD	53 S5 R411B
<input type="checkbox"/> Brushed Steel Look PVD	53 92 R411B
<input type="checkbox"/> Pure Brass PVD	53 Q7 R411B
<input type="checkbox"/> Raw Metal PVD	53 Q8 R411B

ICONA CLASSIC

ART. R411B+M111A Wall-mount washbasin mixer



• Integrated aerator

Pressure(bar)	Flow rate (l/min)
0.5	2.32
1	3.1
2	4.1
3	5.1
4	5.54