



ART. R411B+M111A

Mitigeur lavabo mural

- entraxe bec 16 cm
- manette
- limiteur de débit 5 l/min à 3 bar
- entrées en 1/2"
- SANS VIDAGE

Date _____

Projet/Commentaire _____

Partie externe

- | | |
|---|-------------|
| <input type="checkbox"/> Chromé | 53 02 R411B |
| <input type="checkbox"/> Noir Mat | 53 13 R411B |
| <input type="checkbox"/> Polished Nickel PVD | 53 95 R411B |
| <input type="checkbox"/> Matt Gun Metal PVD | 53 P5 R411B |
| <input type="checkbox"/> Matt British Gold PVD | 53 P6 R411B |
| <input type="checkbox"/> Matt Copper PVD | 53 P9 R411B |
| <input type="checkbox"/> Deep Black PVD | 53 S1 R411B |
| <input type="checkbox"/> Mokka PVD | 53 S5 R411B |
| <input type="checkbox"/> Brushed Steel Look PVD | 53 92 R411B |
| <input type="checkbox"/> Pure Brass PVD | 53 Q7 R411B |
| <input type="checkbox"/> Raw Metal PVD | 53 Q8 R411B |

Piece Partie à encastrer

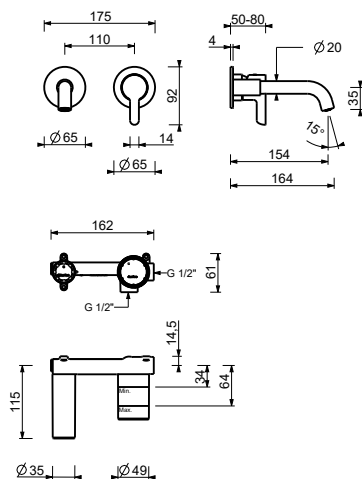
- | | |
|--------------------------|-------------|
| <input type="checkbox"/> | 44 00 M111A |
|--------------------------|-------------|

PRIX TOTAL

- | | |
|---|-------------|
| <input type="checkbox"/> Chromé | 53 02 R411B |
| <input type="checkbox"/> Noir Mat | 53 13 R411B |
| <input type="checkbox"/> Polished Nickel PVD | 53 95 R411B |
| <input type="checkbox"/> Matt Gun Metal PVD | 53 P5 R411B |
| <input type="checkbox"/> Matt British Gold PVD | 53 P6 R411B |
| <input type="checkbox"/> Matt Copper PVD | 53 P9 R411B |
| <input type="checkbox"/> Deep Black PVD | 53 S1 R411B |
| <input type="checkbox"/> Mokka PVD | 53 S5 R411B |
| <input type="checkbox"/> Brushed Steel Look PVD | 53 92 R411B |
| <input type="checkbox"/> Pure Brass PVD | 53 Q7 R411B |
| <input type="checkbox"/> Raw Metal PVD | 53 Q8 R411B |

ICONA CLASSIC

ART. R411B+M111A
Mitigeur lavabo mural



• Integrated aerator

Pression(bar)	Débit (l/min)
0.5	2.32
1	3.1
2	4.1
3	5.1
4	5.54