

## ART. R413B+M111A

### Miscelatore lavabo da parete

- interasse bocca 21 cm
- con maniglia
- limitatore di portata 5 l/min a 3 bar
- ingressi da 1/2"
- SENZA SCARICO

### Data

---

### Progetto/Note

---



---



---



---



---



---



---

#### Parte esterna

|                          |                        |             |
|--------------------------|------------------------|-------------|
| <input type="checkbox"/> | Cromo                  | 53 02 R413B |
| <input type="checkbox"/> | Nero Opaco             | 53 13 R413B |
| <input type="checkbox"/> | Polished Nickel PVD    | 53 95 R413B |
| <input type="checkbox"/> | Matt Gun Metal PVD     | 53 P5 R413B |
| <input type="checkbox"/> | Matt British Gold PVD  | 53 P6 R413B |
| <input type="checkbox"/> | Matt Copper PVD        | 53 P9 R413B |
| <input type="checkbox"/> | Deep Black PVD         | 53 S1 R413B |
| <input type="checkbox"/> | Mokka PVD              | 53 S5 R413B |
| <input type="checkbox"/> | Brushed Steel Look PVD | 53 92 R413B |
| <input type="checkbox"/> | Pure Brass PVD         | 53 Q7 R413B |
| <input type="checkbox"/> | Raw Metal PVD          | 53 Q8 R413B |

#### Prezzo totale

|                          |                        |             |
|--------------------------|------------------------|-------------|
| <input type="checkbox"/> | Cromo                  | 53 02 R413B |
| <input type="checkbox"/> | Nero Opaco             | 53 13 R413B |
| <input type="checkbox"/> | Polished Nickel PVD    | 53 95 R413B |
| <input type="checkbox"/> | Matt Gun Metal PVD     | 53 P5 R413B |
| <input type="checkbox"/> | Matt British Gold PVD  | 53 P6 R413B |
| <input type="checkbox"/> | Matt Copper PVD        | 53 P9 R413B |
| <input type="checkbox"/> | Deep Black PVD         | 53 S1 R413B |
| <input type="checkbox"/> | Mokka PVD              | 53 S5 R413B |
| <input type="checkbox"/> | Brushed Steel Look PVD | 53 92 R413B |
| <input type="checkbox"/> | Pure Brass PVD         | 53 Q7 R413B |
| <input type="checkbox"/> | Raw Metal PVD          | 53 Q8 R413B |

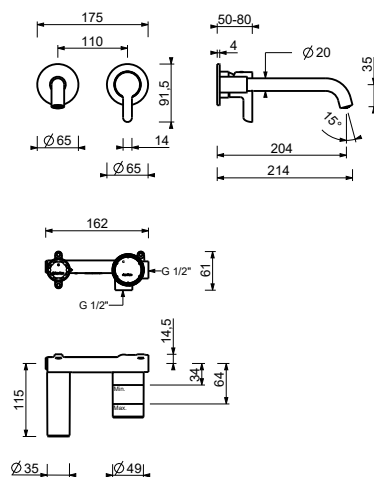
#### Parte da incasso

|                          |             |
|--------------------------|-------------|
| <input type="checkbox"/> | 44 00 M111A |
|--------------------------|-------------|

# ICONA CLASSIC

## ART. R413B+M111A

Miscelatore lavabo da parete



### • aeratore integrato

| Pressione(bar) | Portata (l/min) |
|----------------|-----------------|
| 0.5            | 2.32            |
| 1              | 3.1             |
| 2              | 4.1             |
| 3              | 5.1             |
| 4              | 5.54            |