



## ART. R413B+M111A

### Monomando lavabo a pared

- distancia a chorro 21 cm
- maneta
- limitador de caudal 5 l/m a 3 bar
- entradas de 1/2"
- SIN DESAGÜE

### Fecha

---

### Proyecto/Comentarios

---



---



---



---



---



---



---

#### Parte externa

<input type="checkbox"/>	Cromo	53 02 R413B
<input type="checkbox"/>	Negro Opaco	53 13 R413B
<input type="checkbox"/>	Polished Nickel PVD	53 95 R413B
<input type="checkbox"/>	Matt Gun Metal PVD	53 P5 R413B
<input type="checkbox"/>	Matt British Gold PVD	53 P6 R413B
<input type="checkbox"/>	Matt Copper PVD	53 P9 R413B
<input type="checkbox"/>	Deep Black PVD	53 S1 R413B
<input type="checkbox"/>	Mokka PVD	53 S5 R413B
<input type="checkbox"/>	Brushed Steel Look PVD	53 92 R413B
<input type="checkbox"/>	Pure Brass PVD	53 Q7 R413B
<input type="checkbox"/>	Raw Metal PVD	53 Q8 R413B

#### Parte empotrable

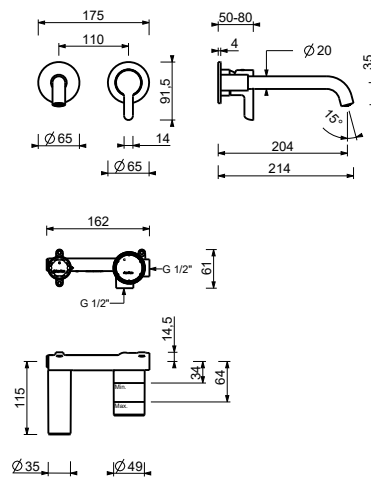
<input type="checkbox"/>	44 00 M111A
--------------------------	-------------

#### PRECIO TOTAL

<input type="checkbox"/>	Cromo	53 02 R413B
<input type="checkbox"/>	Negro Opaco	53 13 R413B
<input type="checkbox"/>	Polished Nickel PVD	53 95 R413B
<input type="checkbox"/>	Matt Gun Metal PVD	53 P5 R413B
<input type="checkbox"/>	Matt British Gold PVD	53 P6 R413B
<input type="checkbox"/>	Matt Copper PVD	53 P9 R413B
<input type="checkbox"/>	Deep Black PVD	53 S1 R413B
<input type="checkbox"/>	Mokka PVD	53 S5 R413B
<input type="checkbox"/>	Brushed Steel Look PVD	53 92 R413B
<input type="checkbox"/>	Pure Brass PVD	53 Q7 R413B
<input type="checkbox"/>	Raw Metal PVD	53 Q8 R413B

# ICONA CLASSIC

## ART. R413B+M111A Monomando lavabo a pared



### • Integrated aerator

Presión(bar)	Caudal (l/min)
0.5	2.32
1	3.1
2	4.1
3	5.1
4	5.54