



ART. R413B+M111A

Wall-mount washbasin mixer

- spout projection 21 cm
- handle
- flow restrictor 5 l/min at 3 bar
- 1/2" inlets
- WITHOUT WASTE

Date _____

Project/Comments: _____

External piece

<input type="checkbox"/> Chrome	53 02 R413B
<input type="checkbox"/> Matt Black	53 13 R413B
<input type="checkbox"/> Polished Nickel PVD	53 95 R413B
<input type="checkbox"/> Matt Gun Metal PVD	53 P5 R413B
<input type="checkbox"/> Matt British Gold PVD	53 P6 R413B
<input type="checkbox"/> Matt Copper PVD	53 P9 R413B
<input type="checkbox"/> Deep Black PVD	53 S1 R413B
<input type="checkbox"/> Mokka PVD	53 S5 R413B
<input type="checkbox"/> Brushed Steel Look PVD	53 92 R413B
<input type="checkbox"/> Pure Brass PVD	53 Q7 R413B
<input type="checkbox"/> Raw Metal PVD	53 Q8 R413B

Built-in piece

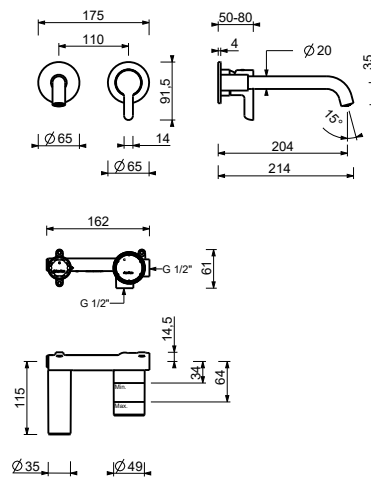
<input type="checkbox"/>	44 00 M111A
--------------------------	-------------

TOTAL PRICE

<input type="checkbox"/> Chrome	53 02 R413B
<input type="checkbox"/> Matt Black	53 13 R413B
<input type="checkbox"/> Polished Nickel PVD	53 95 R413B
<input type="checkbox"/> Matt Gun Metal PVD	53 P5 R413B
<input type="checkbox"/> Matt British Gold PVD	53 P6 R413B
<input type="checkbox"/> Matt Copper PVD	53 P9 R413B
<input type="checkbox"/> Deep Black PVD	53 S1 R413B
<input type="checkbox"/> Mokka PVD	53 S5 R413B
<input type="checkbox"/> Brushed Steel Look PVD	53 92 R413B
<input type="checkbox"/> Pure Brass PVD	53 Q7 R413B
<input type="checkbox"/> Raw Metal PVD	53 Q8 R413B

ICONA CLASSIC

ART. R413B+M111A
Wall-mount washbasin mixer



• **Integrated aerator**

Pressure(bar)	Flow rate (l/min)
0.5	2.32
1	3.1
2	4.1
3	5.1
4	5.54