



ART. M009B+M111A

Wall-mount washbasin mixer

- spout projection 15 cm
- handle
- flow restrictor 5 l/min at 3 bar
- 1/2" inlets
- WITHOUT WASTE

Date _____

Project/Comments: _____

External piece

- | | |
|--|-------------|
| <input type="checkbox"/> Chrome | 24 02 M009B |
| <input type="checkbox"/> Matt Black | 24 13 M009B |
| <input type="checkbox"/> Matt Gun Metal PVD | 24 P5 M009B |
| <input type="checkbox"/> Matt British Gold PVD | 24 P6 M009B |
| <input type="checkbox"/> Matt Copper PVD | 24 P9 M009B |
| <input type="checkbox"/> Deep Black PVD | 24 S1 M009B |

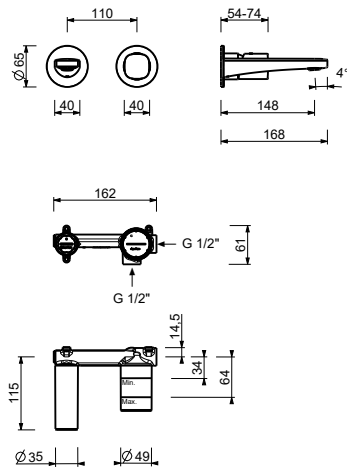
Built-in piece

- | | |
|--------------------------|-------------|
| <input type="checkbox"/> | 44 00 M111A |
|--------------------------|-------------|

TOTAL PRICE

- | | |
|--|-------------|
| <input type="checkbox"/> Chrome | 24 02 M009B |
| <input type="checkbox"/> Matt Black | 24 13 M009B |
| <input type="checkbox"/> Matt Gun Metal PVD | 24 P5 M009B |
| <input type="checkbox"/> Matt British Gold PVD | 24 P6 M009B |
| <input type="checkbox"/> Matt Copper PVD | 24 P9 M009B |
| <input type="checkbox"/> Deep Black PVD | 24 S1 M009B |

ART. M009B+M111A
Wall-mount washbasin mixer



• Integrated aerator

Pressure(bar)	Flow rate (l/min)
0.5	2.32
1	3.1
2	4.1
3	5.1
4	5.54