



## ART. M011B+M111A

### Wall-mount washbasin mixer

- spout projection 19 cm
- handle
- flow restrictor 5 l/min at 3 bar
- 1/2" inlets
- WITHOUT WASTE

Date \_\_\_\_\_

Project/Comments: \_\_\_\_\_

\_\_\_\_\_

\_\_\_\_\_

\_\_\_\_\_

\_\_\_\_\_

\_\_\_\_\_

\_\_\_\_\_

#### External piece

- |  |             |
|--|-------------|
| <input type="checkbox"/> Chrome                | 24 02 M011B |
| <input type="checkbox"/> Matt Black            | 24 13 M011B |
| <input type="checkbox"/> Matt Gun Metal PVD    | 24 P5 M011B |
| <input type="checkbox"/> Matt British Gold PVD | 24 P6 M011B |
| <input type="checkbox"/> Matt Copper PVD       | 24 P9 M011B |
| <input type="checkbox"/> Deep Black PVD        | 24 S1 M011B |

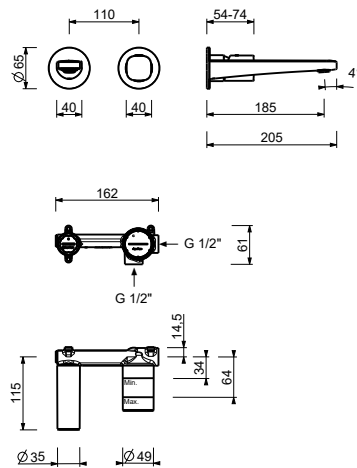
#### Built-in piece

- |                          |             |
|--------------------------|-------------|
| <input type="checkbox"/> | 44 00 M111A |
|--------------------------|-------------|

#### TOTAL PRICE

- |  |             |
|--|-------------|
| <input type="checkbox"/> Chrome                | 24 02 M011B |
| <input type="checkbox"/> Matt Black            | 24 13 M011B |
| <input type="checkbox"/> Matt Gun Metal PVD    | 24 P5 M011B |
| <input type="checkbox"/> Matt British Gold PVD | 24 P6 M011B |
| <input type="checkbox"/> Matt Copper PVD       | 24 P9 M011B |
| <input type="checkbox"/> Deep Black PVD        | 24 S1 M011B |

**ART. M011B+M111A**  
**Wall-mount washbasin mixer**



**• Integrated aerator**

Pressure(bar)	Flow rate (l/min)
0.5	2.32
1	3.1
2	4.1
3	5.1
4	5.54