



## ART. M109B+M111A

### Monomando lavabo a pared

- distancia a chorro 15 cm
- maneta
- limitador de caudal 5 l/m a 3 bar
- entradas de 1/2"
- SIN DESAGÜE

### Fecha

---

### Proyecto/Comentarios

---



---



---



---



---



---



---

#### Parte externa

- |  |             |
|--|-------------|
| <input type="checkbox"/> Cromo                 | 24 02 M109B |
| <input type="checkbox"/> Negro Opaco           | 24 13 M109B |
| <input type="checkbox"/> Matt Gun Metal PVD    | 24 P5 M109B |
| <input type="checkbox"/> Matt British Gold PVD | 24 P6 M109B |
| <input type="checkbox"/> Matt Copper PVD       | 24 P9 M109B |
| <input type="checkbox"/> Deep Black PVD        | 24 S1 M109B |

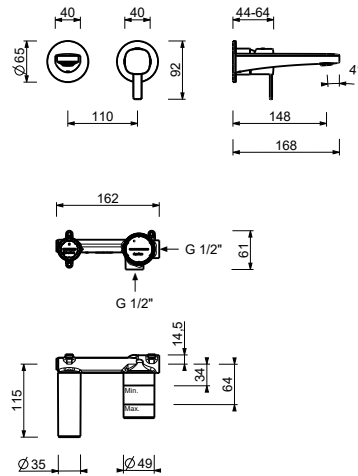
#### Parte empotrable

- |                          |             |
|--------------------------|-------------|
| <input type="checkbox"/> | 44 00 M111A |
|--------------------------|-------------|

#### PRECIO TOTAL

- |  |             |
|--|-------------|
| <input type="checkbox"/> Cromo                 | 24 02 M109B |
| <input type="checkbox"/> Negro Opaco           | 24 13 M109B |
| <input type="checkbox"/> Matt Gun Metal PVD    | 24 P5 M109B |
| <input type="checkbox"/> Matt British Gold PVD | 24 P6 M109B |
| <input type="checkbox"/> Matt Copper PVD       | 24 P9 M109B |
| <input type="checkbox"/> Deep Black PVD        | 24 S1 M109B |

**ART. M109B+M111A**  
**Monomando lavabo a pared**



• **Integrated aerator**

Presión(bar)	Caudal (l/min)
0.5	2.32
1	3.1
2	4.1
3	5.1
4	5.54