



## ART. M109B+M111A

### Miscelatore lavabo da parete

- interasse bocca 15 cm
- con maniglia
- limitatore di portata 5 l/min a 3 bar
- ingressi da 1/2"
- SENZA SCARICO

### Data

---

### Progetto/Note

---



---



---



---



---



---



---

#### Parte esterna

- |  |             |
|--|-------------|
| <input type="checkbox"/> Cromo                 | 24 02 M109B |
| <input type="checkbox"/> Nero Opaco            | 24 13 M109B |
| <input type="checkbox"/> Matt Gun Metal PVD    | 24 P5 M109B |
| <input type="checkbox"/> Matt British Gold PVD | 24 P6 M109B |
| <input type="checkbox"/> Matt Copper PVD       | 24 P9 M109B |
| <input type="checkbox"/> Deep Black PVD        | 24 S1 M109B |

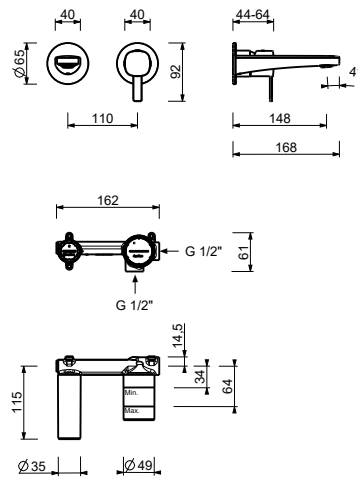
#### Parte da incasso

- |                          |             |
|--------------------------|-------------|
| <input type="checkbox"/> | 44 00 M111A |
|--------------------------|-------------|

#### Prezzo totale

- |  |             |
|--|-------------|
| <input type="checkbox"/> Cromo                 | 24 02 M109B |
| <input type="checkbox"/> Nero Opaco            | 24 13 M109B |
| <input type="checkbox"/> Matt Gun Metal PVD    | 24 P5 M109B |
| <input type="checkbox"/> Matt British Gold PVD | 24 P6 M109B |
| <input type="checkbox"/> Matt Copper PVD       | 24 P9 M109B |
| <input type="checkbox"/> Deep Black PVD        | 24 S1 M109B |

**ART. M109B+M111A**  
**Miscelatore lavabo da parete**



• **aeratore integrato**

Pressione(bar)	Portata (l/min)
0.5	2.32
1	3.1
2	4.1
3	5.1
4	5.54