

## ART. G713B+M111A

### Monomando lavabo a pared

- distancia a chorro 19 cm
- maneta
- con placa
- limitador de caudal 5 l/m a 3 bar
- entradas de 1/2"
- SIN DESAGÜE

### Fecha

### Proyecto/Comentarios

#### Parte externa

- |   |             |
|---|-------------|
| <input type="checkbox"/> Cromo                  | 31 02 G713B |
| <input type="checkbox"/> Polished Nickel PVD    | 31 95 G713B |
| <input type="checkbox"/> Matt Gun Metal PVD     | 31 P5 G713B |
| <input type="checkbox"/> Matt British Gold PVD  | 31 P6 G713B |
| <input type="checkbox"/> Matt Copper PVD        | 31 P9 G713B |
| <input type="checkbox"/> Deep Black PVD         | 31 S1 G713B |
| <input type="checkbox"/> Pure Brass PVD         | 31 Q7 G713B |
| <input type="checkbox"/> Raw Metal PVD          | 31 Q8 G713B |
| <input type="checkbox"/> <b>Acero Cepillado</b> | 31 93 G713B |

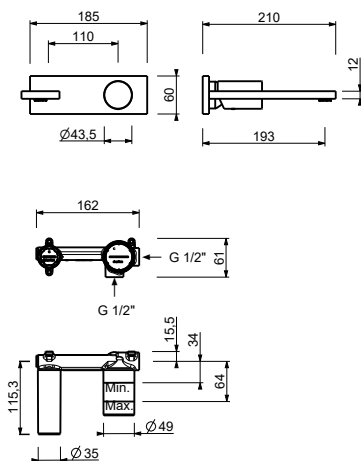
#### Parte empotrable

- |                          |             |
|--------------------------|-------------|
| <input type="checkbox"/> | 44 00 M111A |
|--------------------------|-------------|

#### PRECIO TOTAL

- |  |             |
|--|-------------|
| <input type="checkbox"/> Cromo                 | 31 02 G713B |
| <input type="checkbox"/> Polished Nickel PVD   | 31 95 G713B |
| <input type="checkbox"/> Matt Gun Metal PVD    | 31 P5 G713B |
| <input type="checkbox"/> Matt British Gold PVD | 31 P6 G713B |
| <input type="checkbox"/> Matt Copper PVD       | 31 P9 G713B |
| <input type="checkbox"/> Deep Black PVD        | 31 S1 G713B |
| <input type="checkbox"/> Pure Brass PVD        | 31 Q7 G713B |
| <input type="checkbox"/> Raw Metal PVD         | 31 Q8 G713B |
| <input type="checkbox"/> Acero Cepillado       | 31 93 G713B |

**ART. G713B+M111A**  
**Monomando lavabo a pared**



• **Integrated aerator**

Presión(bar)	Caudal (l/min)
0.5	2.32
1	3.1
2	4.1
3	5.1
4	5.54