

ART. G713B+M111A

Wall-mount washbasin mixer

- spout projection 19 cm
- handle
- with plate
- flow restrictor 5 l/min at 3 bar
- 1/2" inlets
- WITHOUT WASTE

Date _____

Project/Comments: _____

External piece

- | | |
|---|-------------|
| <input type="checkbox"/> Chrome | 31 02 G713B |
| <input type="checkbox"/> Polished Nickel PVD | 31 95 G713B |
| <input type="checkbox"/> Matt Gun Metal PVD | 31 P5 G713B |
| <input type="checkbox"/> Matt British Gold PVD | 31 P6 G713B |
| <input type="checkbox"/> Matt Copper PVD | 31 P9 G713B |
| <input type="checkbox"/> Deep Black PVD | 31 S1 G713B |
| <input type="checkbox"/> Pure Brass PVD | 31 Q7 G713B |
| <input type="checkbox"/> Raw Metal PVD | 31 Q8 G713B |
| <input type="checkbox"/> Brushed Stainless Steel | 31 93 G713B |

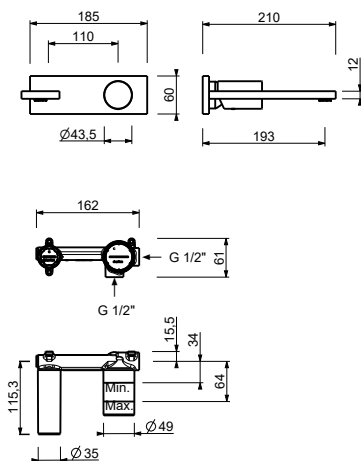
Built-in piece

- | | |
|--------------------------|-------------|
| <input type="checkbox"/> | 44 00 M111A |
|--------------------------|-------------|

TOTAL PRICE

- | | |
|--|-------------|
| <input type="checkbox"/> Chrome | 31 02 G713B |
| <input type="checkbox"/> Polished Nickel PVD | 31 95 G713B |
| <input type="checkbox"/> Matt Gun Metal PVD | 31 P5 G713B |
| <input type="checkbox"/> Matt British Gold PVD | 31 P6 G713B |
| <input type="checkbox"/> Matt Copper PVD | 31 P9 G713B |
| <input type="checkbox"/> Deep Black PVD | 31 S1 G713B |
| <input type="checkbox"/> Pure Brass PVD | 31 Q7 G713B |
| <input type="checkbox"/> Raw Metal PVD | 31 Q8 G713B |
| <input type="checkbox"/> Brushed Stainless Steel | 31 93 G713B |

ART. G713B+M111A
Wall-mount washbasin mixer



• **Integrated aerator**

Pressure(bar)	Flow rate (l/min)
0.5	2.32
1	3.1
2	4.1
3	5.1
4	5.54