



ART. F809B+M111A

Monomando lavabo a pared

- distancia a chorro 14 cm
- maneta
- con embellecedores
- limitador de caudal 5 l/m a 3 bar
- entradas de 1/2"
- SIN DESAGÜE
- aislamiento acústico

Fecha _____

Proyecto/Comentarios _____

Parte externa

- | | |
|--|-------------|
| <input type="checkbox"/> Cromo | 34 02 F809B |
| <input type="checkbox"/> Negro Opaco | 34 13 F809B |
| <input type="checkbox"/> Matt Gun Metal PVD | 34 P5 F809B |
| <input type="checkbox"/> Matt British Gold PVD | 34 P6 F809B |
| <input type="checkbox"/> Matt Copper PVD | 34 P9 F809B |
| <input type="checkbox"/> Deep Black PVD | 34 S1 F809B |

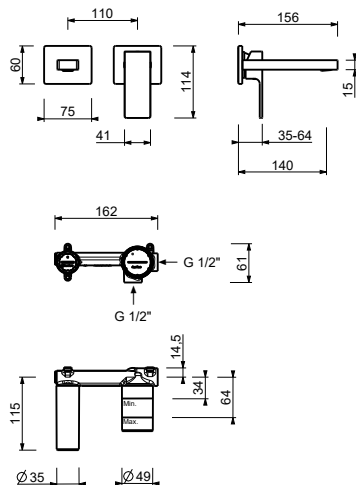
PRECIO TOTAL

- | | |
|--|-------------|
| <input type="checkbox"/> Cromo | 34 02 F809B |
| <input type="checkbox"/> Negro Opaco | 34 13 F809B |
| <input type="checkbox"/> Matt Gun Metal PVD | 34 P5 F809B |
| <input type="checkbox"/> Matt British Gold PVD | 34 P6 F809B |
| <input type="checkbox"/> Matt Copper PVD | 34 P9 F809B |
| <input type="checkbox"/> Deep Black PVD | 34 S1 F809B |

Parte empotrable

- | | |
|--------------------------|-------------|
| <input type="checkbox"/> | 44 00 M111A |
|--------------------------|-------------|

ART. F809B+M111A
Monomando lavabo a pared



• Integrated aerator

Presión(bar)	Caudal (l/min)
0.5	2.32
1	3.1
2	4.1
3	5.1
4	5.54