

## ART. F610B+M111A

### Monomando lavabo a pared

- distancia a chorro 14 cm
- maneta
- con placa
- limitador de caudal 5 l/m a 3 bar
- entradas de 1/2"
- aislamiento acústico
- SIN DESAGÜE

Fecha \_\_\_\_\_

Proyecto/Comentarios \_\_\_\_\_  
 \_\_\_\_\_  
 \_\_\_\_\_  
 \_\_\_\_\_  
 \_\_\_\_\_  
 \_\_\_\_\_

#### Parte externa

- |  |             |
|--|-------------|
| <input type="checkbox"/> Cromo                 | 34 02 F610B |
| <input type="checkbox"/> Negro Opaco           | 34 13 F610B |
| <input type="checkbox"/> Matt Gun Metal PVD    | 34 P5 F610B |
| <input type="checkbox"/> Matt British Gold PVD | 34 P6 F610B |
| <input type="checkbox"/> Matt Copper PVD       | 34 P9 F610B |
| <input type="checkbox"/> Deep Black PVD        | 34 S1 F610B |

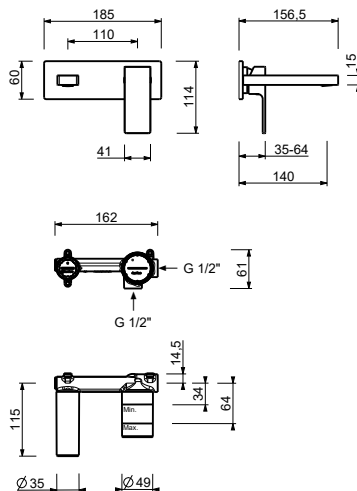
#### PRECIO TOTAL

- |  |             |
|--|-------------|
| <input type="checkbox"/> Cromo                 | 34 02 F610B |
| <input type="checkbox"/> Negro Opaco           | 34 13 F610B |
| <input type="checkbox"/> Matt Gun Metal PVD    | 34 P5 F610B |
| <input type="checkbox"/> Matt British Gold PVD | 34 P6 F610B |
| <input type="checkbox"/> Matt Copper PVD       | 34 P9 F610B |
| <input type="checkbox"/> Deep Black PVD        | 34 S1 F610B |

#### Parte empotrable

- |                          |             |
|--------------------------|-------------|
| <input type="checkbox"/> | 44 00 M111A |
|--------------------------|-------------|

**ART. F610B+M111A**  
**Monomando lavabo a pared**



• **Integrated aerator**

Presión(bar)	Caudal (l/min)
0.5	2.32
1	3.1
2	4.1
3	5.1
4	5.54