



ART. F610B+M111A

Wall-mount washbasin mixer

- spout projection 14 cm
- handle
- with plate
- flow restrictor 5 l/min at 3 bar
- 1/2" inlets
- soundproof
- WITHOUT WASTE

Date _____

Project/Comments: _____

External piece

- | | |
|--|-------------|
| <input type="checkbox"/> Chrome | 34 02 F610B |
| <input type="checkbox"/> Matt Black | 34 13 F610B |
| <input type="checkbox"/> Matt Gun Metal PVD | 34 P5 F610B |
| <input type="checkbox"/> Matt British Gold PVD | 34 P6 F610B |
| <input type="checkbox"/> Matt Copper PVD | 34 P9 F610B |
| <input type="checkbox"/> Deep Black PVD | 34 S1 F610B |

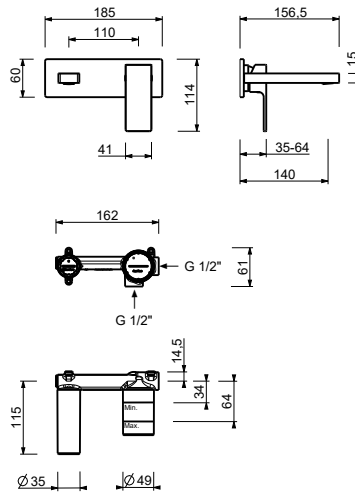
TOTAL PRICE

- | | |
|--|-------------|
| <input type="checkbox"/> Chrome | 34 02 F610B |
| <input type="checkbox"/> Matt Black | 34 13 F610B |
| <input type="checkbox"/> Matt Gun Metal PVD | 34 P5 F610B |
| <input type="checkbox"/> Matt British Gold PVD | 34 P6 F610B |
| <input type="checkbox"/> Matt Copper PVD | 34 P9 F610B |
| <input type="checkbox"/> Deep Black PVD | 34 S1 F610B |

Built-in piece

- | | |
|--------------------------|-------------|
| <input type="checkbox"/> | 44 00 M111A |
|--------------------------|-------------|

ART. F610B+M111A
Wall-mount washbasin mixer



• **Integrated aerator**

Pressure(bar)	Flow rate (l/min)
0.5	2.32
1	3.1
2	4.1
3	5.1
4	5.54