

## ART. E013B+M111A

### Miscelatore lavabo da parete

- interasse bocca 20 cm
- con maniglia CILINDRICA con LEVA
- con piastra
- limitatore di portata 5 l/min a 3 bar
- ingressi da 1/2"
- SENZA SCARICO

### Data

---

### Progetto/Note

---



---



---



---



---



---



---

#### Parte esterna

<input type="checkbox"/>	Cromo	50 02 E013B
<input type="checkbox"/>	Nero Opaco	50 13 E013B
<input type="checkbox"/>	Bianco Opaco	50 29 E013B
<input type="checkbox"/>	Matt Gun Metal PVD	50 P5 E013B
<input type="checkbox"/>	Matt British Gold PVD	50 P6 E013B
<input type="checkbox"/>	Matt Copper PVD	50 P9 E013B
<input type="checkbox"/>	Deep Black PVD	50 S1 E013B
<input type="checkbox"/>	Mokka PVD	50 S5 E013B
<input type="checkbox"/>	Pure Brass PVD	50 Q7 E013B
<input type="checkbox"/>	Raw Metal PVD	50 Q8 E013B
<input type="checkbox"/>	<b>Acciaio spazzolato</b>	50 93 E013B

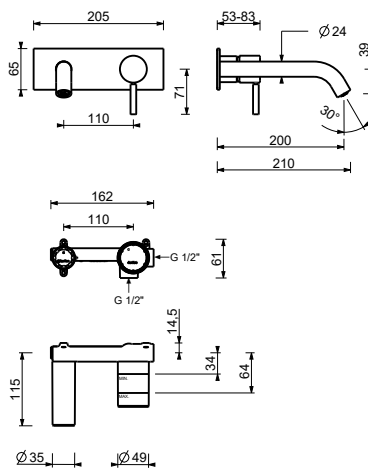
#### Parte da incasso

<input type="checkbox"/>		44 00 M111A
--------------------------	--	-------------

#### Prezzo totale

<input type="checkbox"/>	Cromo	50 02 E013B
<input type="checkbox"/>	Nero Opaco	50 13 E013B
<input type="checkbox"/>	Bianco Opaco	50 29 E013B
<input type="checkbox"/>	Matt Gun Metal PVD	50 P5 E013B
<input type="checkbox"/>	Matt British Gold PVD	50 P6 E013B
<input type="checkbox"/>	Matt Copper PVD	50 P9 E013B
<input type="checkbox"/>	Deep Black PVD	50 S1 E013B
<input type="checkbox"/>	Mokka PVD	50 S5 E013B
<input type="checkbox"/>	Pure Brass PVD	50 Q7 E013B
<input type="checkbox"/>	Raw Metal PVD	50 Q8 E013B
<input type="checkbox"/>	Acciaio spazzolato	50 93 E013B

**ART. E013B+M111A**  
**Miscelatore lavabo da parete**



• **aeratore integrato**

Pressione(bar)	Portata (l/min)
0.5	2.32
1	3.1
2	4.1
3	5.1
4	5.54