

ART. E014B+M111A

Wall-mount washbasin mixer

- spout projection 25 cm
- CYLINDRICAL handle with LEVER
- with plate
- flow restrictor 5 l/min at 3 bar
- 1/2" inlets
- WITHOUT WASTE

Date _____

Project/Comments: _____

External piece

<input type="checkbox"/> Chrome	50 02 E014B
<input type="checkbox"/> Matt Black	50 13 E014B
<input type="checkbox"/> Matt White	50 29 E014B
<input type="checkbox"/> Matt Gun Metal PVD	50 P5 E014B
<input type="checkbox"/> Matt British Gold PVD	50 P6 E014B
<input type="checkbox"/> Matt Copper PVD	50 P9 E014B
<input type="checkbox"/> Deep Black PVD	50 S1 E014B
<input type="checkbox"/> Mokka PVD	50 S5 E014B
<input type="checkbox"/> Pure Brass PVD	50 Q7 E014B
<input type="checkbox"/> Raw Metal PVD	50 Q8 E014B
<input type="checkbox"/> Brushed Stainless Steel	50 93 E014B

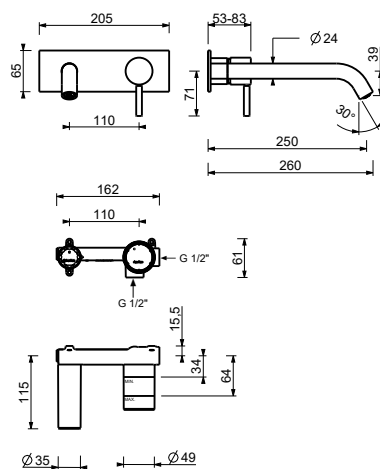
Built-in piece

<input type="checkbox"/>	44 00 M111A
--------------------------	-------------

TOTAL PRICE

<input type="checkbox"/> Chrome	50 02 E014B
<input type="checkbox"/> Matt Black	50 13 E014B
<input type="checkbox"/> Matt White	50 29 E014B
<input type="checkbox"/> Matt Gun Metal PVD	50 P5 E014B
<input type="checkbox"/> Matt British Gold PVD	50 P6 E014B
<input type="checkbox"/> Matt Copper PVD	50 P9 E014B
<input type="checkbox"/> Deep Black PVD	50 S1 E014B
<input type="checkbox"/> Mokka PVD	50 S5 E014B
<input type="checkbox"/> Pure Brass PVD	50 Q7 E014B
<input type="checkbox"/> Raw Metal PVD	50 Q8 E014B
<input type="checkbox"/> Brushed Stainless Steel	50 93 E014B

ART. E014B+M111A
Wall-mount washbasin mixer



• **Integrated aerator**

Pressure(bar)	Flow rate (l/min)
0.5	2.32
1	3.1
2	4.1
3	5.1
4	5.54