



ART. E010B+M111A

Wall-mount washbasin mixer

- spout projection 15 cm
- CYLINDRICAL handle with LEVER
- with plate
- flow restrictor 5 l/min at 3 bar
- 1/2" inlets
- WITHOUT WASTE

Date _____

Project/Comments: _____

External piece

- | | |
|---|-------------|
| <input type="checkbox"/> Chrome | 50 02 E010B |
| <input type="checkbox"/> Matt Black | 50 13 E010B |
| <input type="checkbox"/> Matt White | 50 29 E010B |
| <input type="checkbox"/> Matt Gun Metal PVD | 50 P5 E010B |
| <input type="checkbox"/> Matt British Gold PVD | 50 P6 E010B |
| <input type="checkbox"/> Matt Copper PVD | 50 P9 E010B |
| <input type="checkbox"/> Deep Black PVD | 50 S1 E010B |
| <input type="checkbox"/> Mokka PVD | 50 S5 E010B |
| <input type="checkbox"/> Pure Brass PVD | 50 Q7 E010B |
| <input type="checkbox"/> Raw Metal PVD | 50 Q8 E010B |
| <input type="checkbox"/> Brushed Stainless Steel | 50 93 E010B |

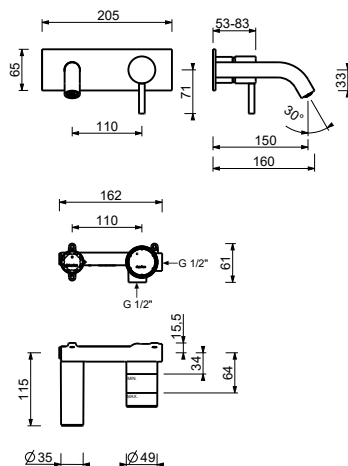
Built-in piece

- | | |
|--------------------------|-------------|
| <input type="checkbox"/> | 44 00 M111A |
|--------------------------|-------------|

TOTAL PRICE

- | | |
|--|-------------|
| <input type="checkbox"/> Chrome | 50 02 E010B |
| <input type="checkbox"/> Matt Black | 50 13 E010B |
| <input type="checkbox"/> Matt White | 50 29 E010B |
| <input type="checkbox"/> Matt Gun Metal PVD | 50 P5 E010B |
| <input type="checkbox"/> Matt British Gold PVD | 50 P6 E010B |
| <input type="checkbox"/> Matt Copper PVD | 50 P9 E010B |
| <input type="checkbox"/> Deep Black PVD | 50 S1 E010B |
| <input type="checkbox"/> Mokka PVD | 50 S5 E010B |
| <input type="checkbox"/> Pure Brass PVD | 50 Q7 E010B |
| <input type="checkbox"/> Raw Metal PVD | 50 Q8 E010B |
| <input type="checkbox"/> Brushed Stainless Steel | 50 93 E010B |

ART. E010B+M111A
Wall-mount washbasin mixer



• **Integrated aerator**

Pressure(bar)	Flow rate (l/min)
0.5	2.32
1	3.1
2	4.1
3	5.1
4	5.54