



## ART. E812B+M111A

### Wall-mount washbasin mixer

- spout projection 25 cm
- CYLINDRICAL handle with LEVER
- with rosaces
- flow restrictor 5 l/min at 3 bar
- 1/2" inlets
- WITHOUT WASTE

Date \_\_\_\_\_

Project/Comments: \_\_\_\_\_

\_\_\_\_\_

\_\_\_\_\_

\_\_\_\_\_

\_\_\_\_\_

\_\_\_\_\_

\_\_\_\_\_

#### External piece

- |   |             |
|---|-------------|
| <input type="checkbox"/> Chrome                         | 50 02 E812B |
| <input type="checkbox"/> Matt Black                     | 50 13 E812B |
| <input type="checkbox"/> Matt White                     | 50 29 E812B |
| <input type="checkbox"/> Matt Gun Metal PVD             | 50 P5 E812B |
| <input type="checkbox"/> Matt British Gold PVD          | 50 P6 E812B |
| <input type="checkbox"/> Matt Copper PVD                | 50 P9 E812B |
| <input type="checkbox"/> Deep Black PVD                 | 50 S1 E812B |
| <input type="checkbox"/> Mokka PVD                      | 50 S5 E812B |
| <input type="checkbox"/> Pure Brass PVD                 | 50 Q7 E812B |
| <input type="checkbox"/> Raw Metal PVD                  | 50 Q8 E812B |
| <input type="checkbox"/> <b>Brushed Stainless Steel</b> | 50 93 E812B |

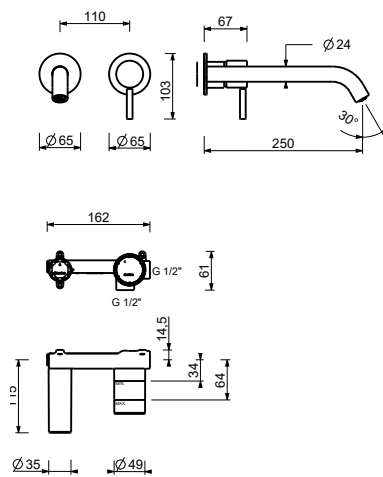
#### Built-in piece

- |                          |             |
|--------------------------|-------------|
| <input type="checkbox"/> | 44 00 M111A |
|--------------------------|-------------|

#### TOTAL PRICE

- |  |             |
|--|-------------|
| <input type="checkbox"/> Chrome                  | 50 02 E812B |
| <input type="checkbox"/> Matt Black              | 50 13 E812B |
| <input type="checkbox"/> Matt White              | 50 29 E812B |
| <input type="checkbox"/> Matt Gun Metal PVD      | 50 P5 E812B |
| <input type="checkbox"/> Matt British Gold PVD   | 50 P6 E812B |
| <input type="checkbox"/> Matt Copper PVD         | 50 P9 E812B |
| <input type="checkbox"/> Deep Black PVD          | 50 S1 E812B |
| <input type="checkbox"/> Mokka PVD               | 50 S5 E812B |
| <input type="checkbox"/> Pure Brass PVD          | 50 Q7 E812B |
| <input type="checkbox"/> Raw Metal PVD           | 50 Q8 E812B |
| <input type="checkbox"/> Brushed Stainless Steel | 50 93 E812B |

**ART. E812B+M111A**  
 Wall-mount washbasin mixer



• **Integrated aerator**

Pressure(bar)	Flow rate (l/min)
0.5	2.32
1	3.1
2	4.1
3	5.1
4	5.54