



ART. G913B+M111A

Monomando lavabo a pared

- distancia a chorro 20 cm
- maneta CILÍNDRICA con LEVA
- limitador de caudal 5 l/m a 3 bar
- entradas de 1/2"
- SIN DESAGÜE

Fecha

Proyecto/Comentarios

Parte externa

- | | |
|---|-------------|
| <input type="checkbox"/> Cromo | 50 02 G913B |
| <input type="checkbox"/> Negro Opaco | 50 13 G913B |
| <input type="checkbox"/> Matt Gun Metal PVD | 50 P5 G913B |
| <input type="checkbox"/> Matt British Gold PVD | 50 P6 G913B |
| <input type="checkbox"/> Matt Copper PVD | 50 P9 G913B |
| <input type="checkbox"/> Deep Black PVD | 50 S1 G913B |
| <input type="checkbox"/> Mokka PVD | 50 S5 G913B |
| <input type="checkbox"/> Pure Brass PVD | 50 Q7 G913B |
| <input type="checkbox"/> Raw Metal PVD | 50 Q8 G913B |
| <input type="checkbox"/> Acero Cepillado | 50 93 G913B |

Parte empotrable

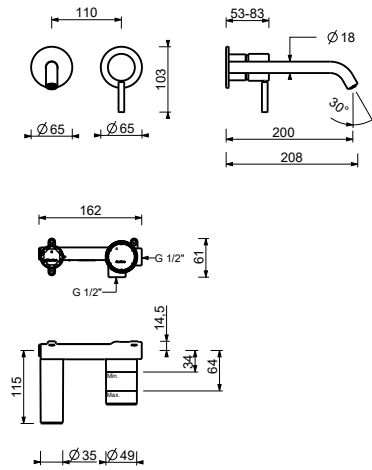
- | | |
|--------------------------|-------------|
| <input type="checkbox"/> | 44 00 M111A |
|--------------------------|-------------|

PRECIO TOTAL

- | | |
|--|-------------|
| <input type="checkbox"/> Cromo | 50 02 G913B |
| <input type="checkbox"/> Negro Opaco | 50 13 G913B |
| <input type="checkbox"/> Matt Gun Metal PVD | 50 P5 G913B |
| <input type="checkbox"/> Matt British Gold PVD | 50 P6 G913B |
| <input type="checkbox"/> Matt Copper PVD | 50 P9 G913B |
| <input type="checkbox"/> Deep Black PVD | 50 S1 G913B |
| <input type="checkbox"/> Mokka PVD | 50 S5 G913B |
| <input type="checkbox"/> Pure Brass PVD | 50 Q7 G913B |
| <input type="checkbox"/> Raw Metal PVD | 50 Q8 G913B |
| <input type="checkbox"/> Acero Cepillado | 50 93 G913B |

NOSTROMO SMALL

ART. G913B+M111A
Monomando lavabo a pared



• Integrated aerator

Presión(bar)	Caudal (l/min)
0.5	2.32
1	3.1
2	4.1
3	5.1
4	5.54