



ART. V609B+M111A

Wall-mount washbasin mixer

- spout projection 15 cm
- handle
- flow restrictor 5 l/min at 3 bar
- 1/2" inlets
- WITHOUT WASTE

Date

Project/Comments:

External piece

- | | |
|--|-------------|
| <input type="checkbox"/> Chrome | 61 02 V609B |
| <input type="checkbox"/> Matt Black | 61 13 V609B |
| <input type="checkbox"/> Matt Gun Metal PVD | 61 P5 V609B |
| <input type="checkbox"/> Matt British Gold PVD | 61 P6 V609B |
| <input type="checkbox"/> Deep Black PVD | 61 S1 V609B |

Built-in piece

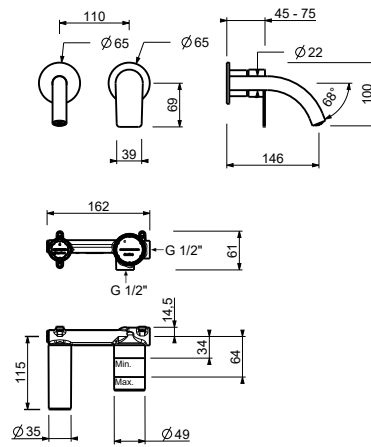
- | | |
|--------------------------|-------------|
| <input type="checkbox"/> | 44 00 M111A |
|--------------------------|-------------|

TOTAL PRICE

- | | |
|--|-------------|
| <input type="checkbox"/> Chrome | 61 02 V609B |
| <input type="checkbox"/> Matt Black | 61 13 V609B |
| <input type="checkbox"/> Matt Gun Metal PVD | 61 P5 V609B |
| <input type="checkbox"/> Matt British Gold PVD | 61 P6 V609B |
| <input type="checkbox"/> Deep Black PVD | 61 S1 V609B |

MYO

ART. V609B+M111A Wall-mount washbasin mixer



• Integrated aerator

| Pressure(bar) | Flow rate (l/min) |
|---------------|-------------------|
| 0.5 | 2.32 |
| 1 | 3.1 |
| 2 | 4.1 |
| 3 | 5.1 |
| 4 | 5.54 |