



## ART. H772B+H572A

### Monomando termostático ducha empotrado 3/4"

- maneta
- botones ON/OFF con ajuste de caudal
- aislamiento acústico
- solo para montaje horizontal
- entradas de 3/4"
- 2 salidas de 1/2"

### Fecha

---

### Proyecto/Comentarios

---



---



---



---



---



---



---

#### Parte externa

- |                          |                       |             |
|--------------------------|-----------------------|-------------|
| <input type="checkbox"/> | Cromo                 | 87 02 H772B |
| <input type="checkbox"/> | Polished Nickel PVD   | 87 95 H772B |
| <input type="checkbox"/> | Matt Gun Metal PVD    | 87 P5 H772B |
| <input type="checkbox"/> | Matt British Gold PVD | 87 P6 H772B |
| <input type="checkbox"/> | Matt Copper PVD       | 87 P9 H772B |
| <input type="checkbox"/> | Pure Brass PVD        | 87 Q7 H772B |
| <input type="checkbox"/> | Raw Metal PVD         | 87 Q8 H772B |

#### Parte empotrable

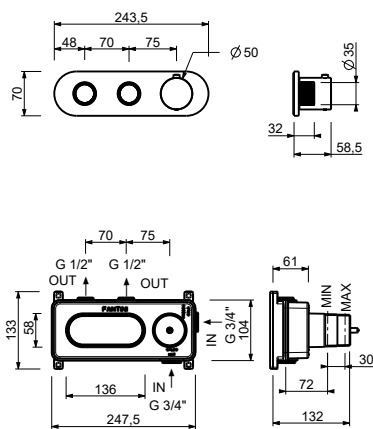
- |                          |             |
|--------------------------|-------------|
| <input type="checkbox"/> | 44 00 H572A |
|--------------------------|-------------|

#### PRECIO TOTAL

- |                          |                       |             |
|--------------------------|-----------------------|-------------|
| <input type="checkbox"/> | Cromo                 | 87 02 H772B |
| <input type="checkbox"/> | Polished Nickel PVD   | 87 95 H772B |
| <input type="checkbox"/> | Matt Gun Metal PVD    | 87 P5 H772B |
| <input type="checkbox"/> | Matt British Gold PVD | 87 P6 H772B |
| <input type="checkbox"/> | Matt Copper PVD       | 87 P9 H772B |
| <input type="checkbox"/> | Pure Brass PVD        | 87 Q7 H772B |
| <input type="checkbox"/> | Raw Metal PVD         | 87 Q8 H772B |

## ART. H772B+H572A

Monomando termostático ducha empotrado 3/4"



Salida 1	
Presión(bar)	Caudal (l/min)
0.5	7.7
1	12.3
2	18
3	22.3
4	26.01

Salida 2	
Presión(bar)	Caudal (l/min)
0.5	7.1
1	11.5
2	16.8
3	20.8
4	24.2