

## ART. H572B+H572A

### 3/4" built-in thermostatic shower mixer

- handle
- ON/OFF buttons with flow rate adjustment
- soundproof
- for horizontal installation only
- 3/4" inlets
- nos. 2 1/2" outlets

Date \_\_\_\_\_

Project/Comments: \_\_\_\_\_  
 \_\_\_\_\_  
 \_\_\_\_\_  
 \_\_\_\_\_  
 \_\_\_\_\_  
 \_\_\_\_\_

#### External piece

- |  |             |
|--|-------------|
| <input type="checkbox"/> Chrome                | 87 02 H572B |
| <input type="checkbox"/> Matt Gun Metal PVD    | 87 P5 H572B |
| <input type="checkbox"/> Matt British Gold PVD | 87 P6 H572B |
| <input type="checkbox"/> Matt Copper PVD       | 87 P9 H572B |
| <input type="checkbox"/> Deep Black PVD        | 87 S1 H572B |

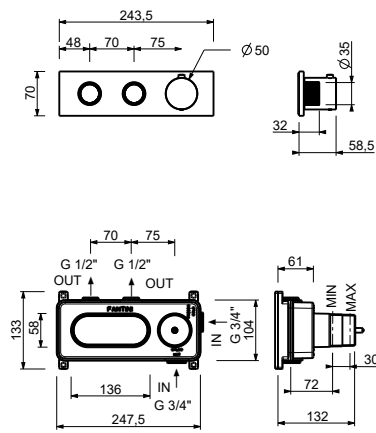
#### Built-in piece

- |                          |             |
|--------------------------|-------------|
| <input type="checkbox"/> | 44 00 H572A |
|--------------------------|-------------|

#### TOTAL PRICE

- |  |             |
|--|-------------|
| <input type="checkbox"/> Chrome                | 87 02 H572B |
| <input type="checkbox"/> Matt Gun Metal PVD    | 87 P5 H572B |
| <input type="checkbox"/> Matt British Gold PVD | 87 P6 H572B |
| <input type="checkbox"/> Matt Copper PVD       | 87 P9 H572B |
| <input type="checkbox"/> Deep Black PVD        | 87 S1 H572B |

**ART. H572B+H572A**  
**3/4" built-in thermostatic shower mixer**



**Way number 1**

Pressure(bar)	Flow rate (l/min)
0.5	7.7
1	12.3
2	18
3	22.3
4	26.01

**Way number 2**

Pressure(bar)	Flow rate (l/min)
0.5	7.1
1	11.5
2	16.8
3	20.8
4	24.2