



ART. H572B+H572A

Monomando termostático ducha empotrado 3/4"

- maneta
- botones ON/OFF con ajuste de caudal
- aislamiento acústico
- solo para montaje horizontal
- entradas de 3/4"
- 2 salidas de 1/2"

Fecha

Proyecto/Comentarios

Parte externa

- | | |
|---|-------------|
| <input type="checkbox"/> Cromo | 87 02 H572B |
| <input type="checkbox"/> Polished Nickel PVD | 87 95 H572B |
| <input type="checkbox"/> Matt Gun Metal PVD | 87 P5 H572B |
| <input type="checkbox"/> Matt British Gold PVD | 87 P6 H572B |
| <input type="checkbox"/> Matt Copper PVD | 87 P9 H572B |
| <input type="checkbox"/> Deep Black PVD | 87 S1 H572B |
| <input type="checkbox"/> Pure Brass PVD | 87 Q7 H572B |
| <input type="checkbox"/> Raw Metal PVD | 87 Q8 H572B |
| <input type="checkbox"/> Acero Cepillado | 87 93 H572B |

Parte empotrable

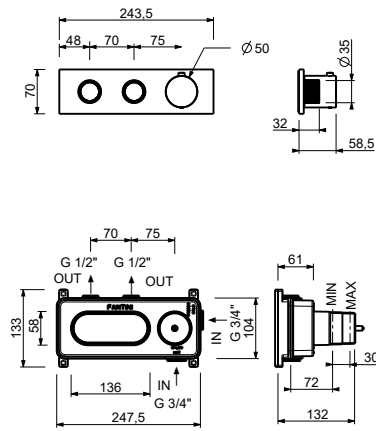
- | | |
|--------------------------|-------------|
| <input type="checkbox"/> | 44 00 H572A |
|--------------------------|-------------|

PRECIO TOTAL

- | | |
|--|-------------|
| <input type="checkbox"/> Cromo | 87 02 H572B |
| <input type="checkbox"/> Polished Nickel PVD | 87 95 H572B |
| <input type="checkbox"/> Matt Gun Metal PVD | 87 P5 H572B |
| <input type="checkbox"/> Matt British Gold PVD | 87 P6 H572B |
| <input type="checkbox"/> Matt Copper PVD | 87 P9 H572B |
| <input type="checkbox"/> Deep Black PVD | 87 S1 H572B |
| <input type="checkbox"/> Pure Brass PVD | 87 Q7 H572B |
| <input type="checkbox"/> Raw Metal PVD | 87 Q8 H572B |
| <input type="checkbox"/> Acero Cepillado | 87 93 H572B |

ART. H572B+H572A

Monomando termostático ducha empotrado 3/4"



Salida 1

Presión(bar)	Caudal (l/min)
0.5	7.7
1	12.3
2	18
3	22.3
4	26.01

Salida 2

Presión(bar)	Caudal (l/min)
0.5	7.1
1	11.5
2	16.8
3	20.8
4	24.2