

ART. H572B+H572A

3/4" built-in thermostatic shower mixer

- handle
- ON/OFF buttons with flow rate adjustment
- soundproof
- for horizontal installation only
- 3/4" inlets
- nos. 2 1/2" outlets

Date _____

Project/Comments: _____

External piece

- | | |
|--|-------------|
| <input type="checkbox"/> Chrome | 87 02 H572B |
| <input type="checkbox"/> Matt Gun Metal PVD | 87 P5 H572B |
| <input type="checkbox"/> Matt British Gold PVD | 87 P6 H572B |
| <input type="checkbox"/> Matt Copper PVD | 87 P9 H572B |
| <input type="checkbox"/> Deep Black PVD | 87 S1 H572B |

Built-in piece

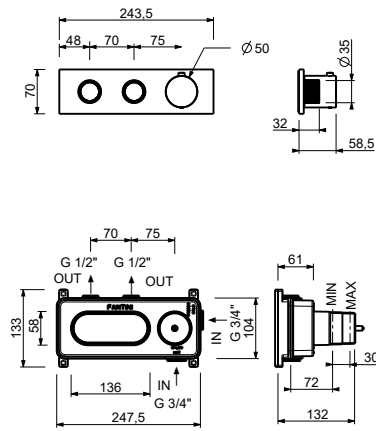
- | | |
|--------------------------|-------------|
| <input type="checkbox"/> | 44 00 H572A |
|--------------------------|-------------|

TOTAL PRICE

- | | |
|--|-------------|
| <input type="checkbox"/> Chrome | 87 02 H572B |
| <input type="checkbox"/> Matt Gun Metal PVD | 87 P5 H572B |
| <input type="checkbox"/> Matt British Gold PVD | 87 P6 H572B |
| <input type="checkbox"/> Matt Copper PVD | 87 P9 H572B |
| <input type="checkbox"/> Deep Black PVD | 87 S1 H572B |

ART. H572B+H572A

3/4" built-in thermostatic shower mixer



Way number 1

Pressure(bar)	Flow rate (l/min)
0.5	7.7
1	12.3
2	18
3	22.3
4	26.01

Way number 2

Pressure(bar)	Flow rate (l/min)
0.5	7.1
1	11.5
2	16.8
3	20.8
4	24.2