



## ART. H572B+H572A

### 3/4" built-in thermostatic shower mixer

- handle
- ON/OFF buttons with flow rate adjustment
- soundproof
- for horizontal installation only
- 3/4" inlets
- nos. 2 1/2" outlets

### Date

### Project/Comments:

---



---



---



---



---



---



---

#### External piece

- |   |             |
|---|-------------|
| <input type="checkbox"/> Chrome                         | 87 02 H572B |
| <input type="checkbox"/> Matt Gun Metal PVD             | 87 P5 H572B |
| <input type="checkbox"/> Matt British Gold PVD          | 87 P6 H572B |
| <input type="checkbox"/> Matt Copper PVD                | 87 P9 H572B |
| <input type="checkbox"/> Deep Black PVD                 | 87 S1 H572B |
| <input type="checkbox"/> Mokka PVD                      | 87 S5 H572B |
| <input type="checkbox"/> Pure Brass PVD                 | 87 Q7 H572B |
| <input type="checkbox"/> Raw Metal PVD                  | 87 Q8 H572B |
| <input type="checkbox"/> <b>Brushed Stainless Steel</b> | 87 93 H572B |

#### Built-in piece

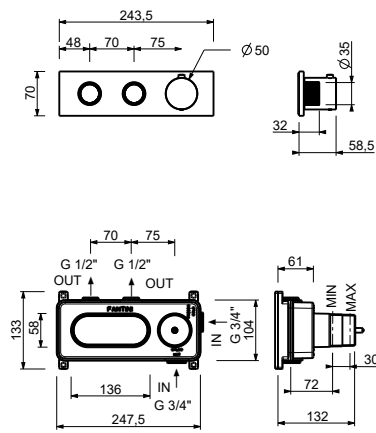
- |                          |             |
|--------------------------|-------------|
| <input type="checkbox"/> | 44 00 H572A |
|--------------------------|-------------|

#### TOTAL PRICE

- |  |             |
|--|-------------|
| <input type="checkbox"/> Chrome                  | 87 02 H572B |
| <input type="checkbox"/> Matt Gun Metal PVD      | 87 P5 H572B |
| <input type="checkbox"/> Matt British Gold PVD   | 87 P6 H572B |
| <input type="checkbox"/> Matt Copper PVD         | 87 P9 H572B |
| <input type="checkbox"/> Deep Black PVD          | 87 S1 H572B |
| <input type="checkbox"/> Mokka PVD               | 87 S5 H572B |
| <input type="checkbox"/> Pure Brass PVD          | 87 Q7 H572B |
| <input type="checkbox"/> Raw Metal PVD           | 87 Q8 H572B |
| <input type="checkbox"/> Brushed Stainless Steel | 87 93 H572B |

# NOSTROMO

**ART. H572B+H572A**  
**3/4" built-in thermostatic shower mixer**



**Way number 1**

Pressure(bar)	Flow rate (l/min)
0.5	7.7
1	12.3
2	18
3	22.3
4	26.01

**Way number 2**

Pressure(bar)	Flow rate (l/min)
0.5	7.1
1	11.5
2	16.8
3	20.8
4	24.2