

ART. H572B+H572A

Monomando termostático ducha empotrado 3/4"

- maneta
- botones ON/OFF con ajuste de caudal
- aislamiento acústico
- solo para montaje horizontal
- entradas de 3/4"
- 2 salidas de 1/2"

Fecha

Proyecto/Comentarios

Parte externa

- | | | |
|--------------------------|-----------------------|-------------|
| <input type="checkbox"/> | Cromo | 87 02 H572B |
| <input type="checkbox"/> | Polished Nickel PVD | 87 95 H572B |
| <input type="checkbox"/> | Matt Gun Metal PVD | 87 P5 H572B |
| <input type="checkbox"/> | Matt British Gold PVD | 87 P6 H572B |
| <input type="checkbox"/> | Matt Copper PVD | 87 P9 H572B |
| <input type="checkbox"/> | Golden Look PVD | 87 S9 H572B |

Parte empotrable

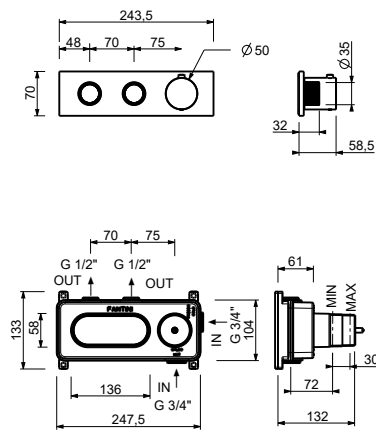
- | | | |
|--------------------------|--|-------------|
| <input type="checkbox"/> | | 44 00 H572A |
|--------------------------|--|-------------|

PRECIO TOTAL

- | | | |
|--------------------------|-----------------------|-------------|
| <input type="checkbox"/> | Cromo | 87 02 H572B |
| <input type="checkbox"/> | Polished Nickel PVD | 87 95 H572B |
| <input type="checkbox"/> | Matt Gun Metal PVD | 87 P5 H572B |
| <input type="checkbox"/> | Matt British Gold PVD | 87 P6 H572B |
| <input type="checkbox"/> | Matt Copper PVD | 87 P9 H572B |
| <input type="checkbox"/> | Golden Look PVD | 87 S9 H572B |

ART. H572B+H572A

Monomando termostático ducha empotrado 3/4"



Salida 1

| Presión(bar) | Caudal (l/min) |
|--------------|----------------|
| 0.5 | 7.7 |
| 1 | 12.3 |
| 2 | 18 |
| 3 | 22.3 |
| 4 | 26.01 |

Salida 2

| Presión(bar) | Caudal (l/min) |
|--------------|----------------|
| 0.5 | 7.1 |
| 1 | 11.5 |
| 2 | 16.8 |
| 3 | 20.8 |
| 4 | 24.2 |