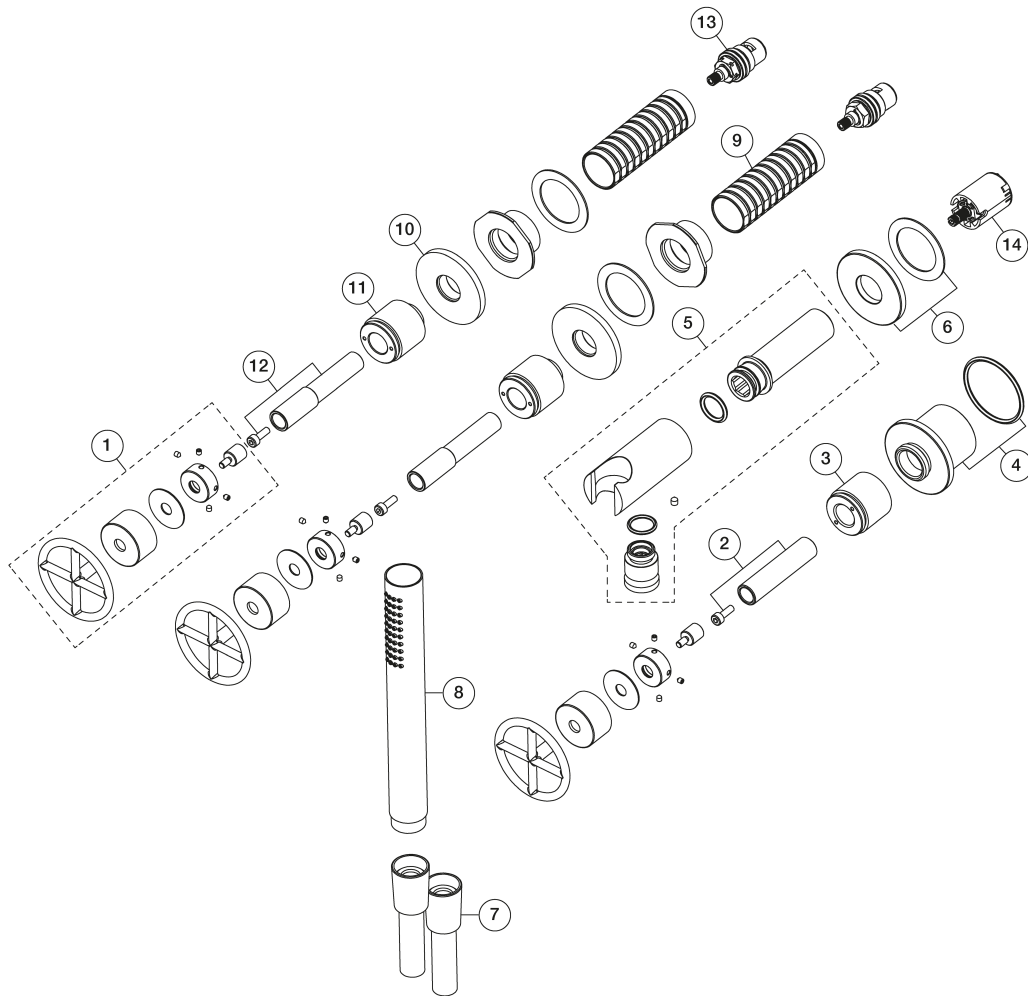


ART. P017BU+P017AU - Built-in bathtub mixer



ART. P017BU+P017AU - Built-in bathtub mixer

| N° | Codice / Code | Descrizione / Description / Désignaton |
|-----------|----------------------|---|
| 1 | 90P5Q633 | Complete handle |
| 2 | 9000Q634 | Handle's adaptor |
| 3 | 90P5Q635 | Diverter collar |
| 4 | 90P5Q638 | Complete backplate |
| 5 | 90938895 | Complete water plug |
| 6 | 90P5Q640 | Rosette for water plug |
| 7 | 90_9349 | 150 cm PVC handshower's flexible hose |
| 8 | 90P5Q753U | Handshower |
| 9 | 9000Q215 | Regulation sleeve |
| 10 | 90P5Q641 | Complete backplate |
| 11 | 90P5Q642 | Rosette for built-in bathtub mixer |
| 12 | 9000Q643 | Handle's adaptor |
| 13 | 90000892U | 90° right ceramic cartridge |
| 14 | 9000A170 | Ø 28 mm progressive cartridge |