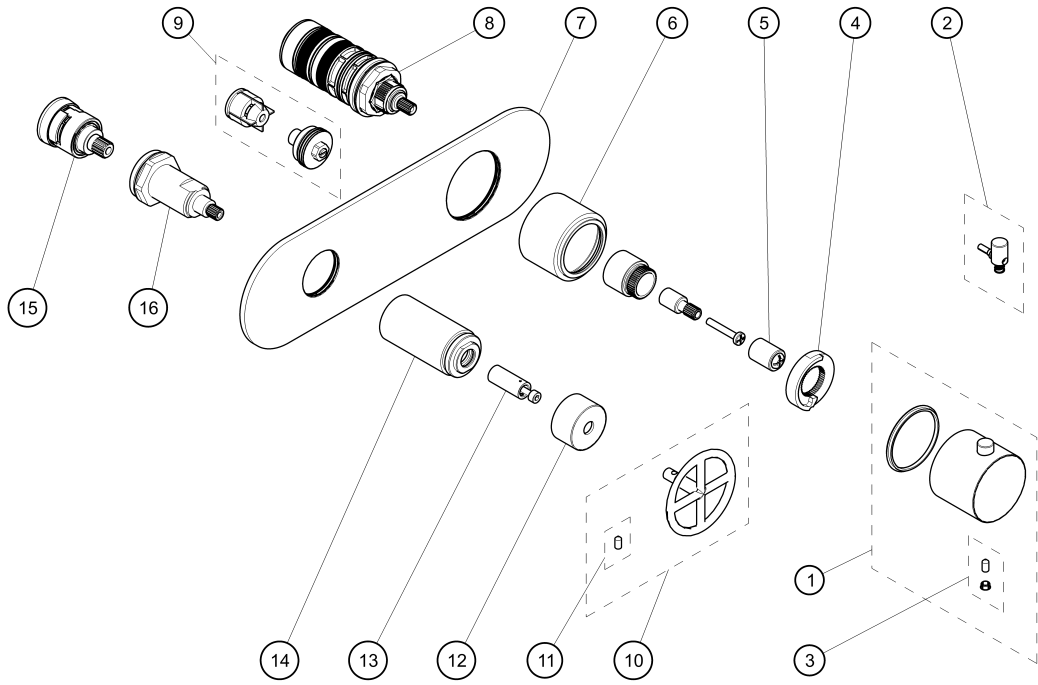


ART. P372BU+D372AU - 3/4" Thermostatic mixer with 2-way diverter



ART. P372BU+D372AU - 3/4" Thermostatic mixer with 2-way diverter

| N° | Codice / Code | Descrizione / Description / Désignaton |
|-----------|----------------------|---|
| 1 | 90_Q917U | Complete thermostatic handle |
| 2 | 90_Q975 | Push-button with spring for Art. 3949 |
| 3 | 90_9533 | Fixing kit |
| 4 | 9000Z593 | Clamp for thermostatic cartridge |
| 5 | 9000Q918 | Handle's adaptor |
| 6 | 90_Q919 | Sleeve for lever |
| 7 | 90P5Q962 | Complete cover plate |
| 8 | 9000G571 | Thermostatic cartridge |
| 9 | 90008750 | Couple valves |
| 10 | 47P5P048 | Complete handle |
| 11 | 90009540 | Locking screw M4x8 |
| 12 | 90P5Q613 | Cup under handle |
| 13 | 9000Q632 | Handle's adaptor |
| 14 | 90P5Q964 | Regulation sleeve |
| 15 | 90008820 | Diverter 1 entry 2-way with function OFF |
| 16 | 9000Q639 | Locking ring for diverter |