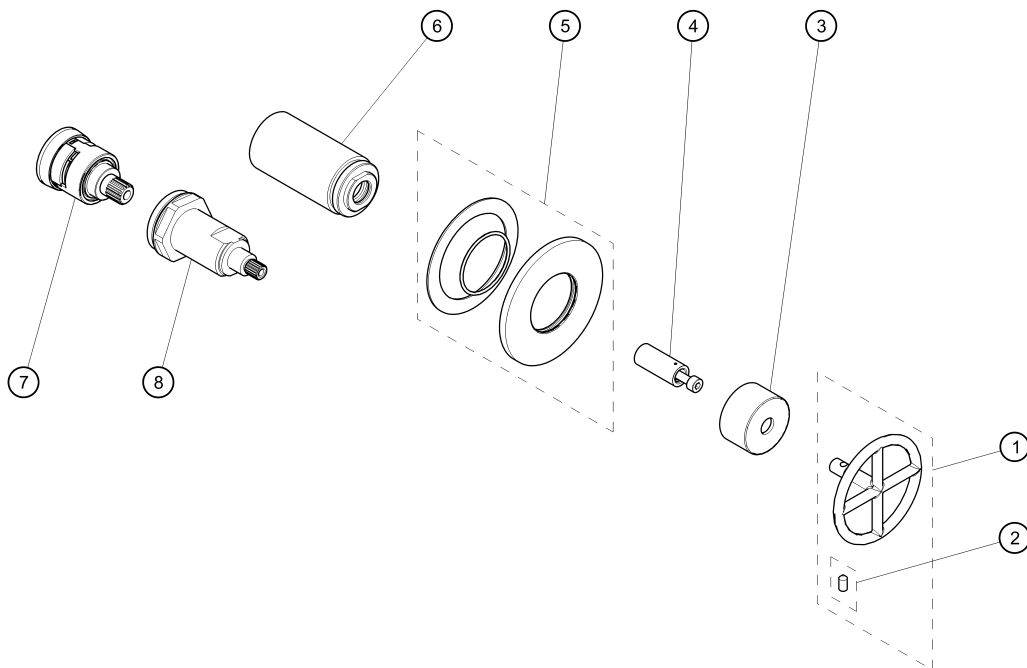


ART. P376BU+D376AU - 2-Way diverter with integrated volume control



ART. P376BU+D376AU - 2-Way diverter with integrated volume control

N°	Codice / Code	Descrizione / Description / Désignaton
1	47_P048	Complete handle
2	90009540	Locking screw M4x8
3	90_Q613	Cup under handle
4	9000Q632	Handle's adaptor
5	90_Z115	Complete backplate
6	90_Q964	Regulation sleeve
7	90008820	Diverter 1 entry 2-way with function OFF
8	9000Q639	Locking ring for diverter