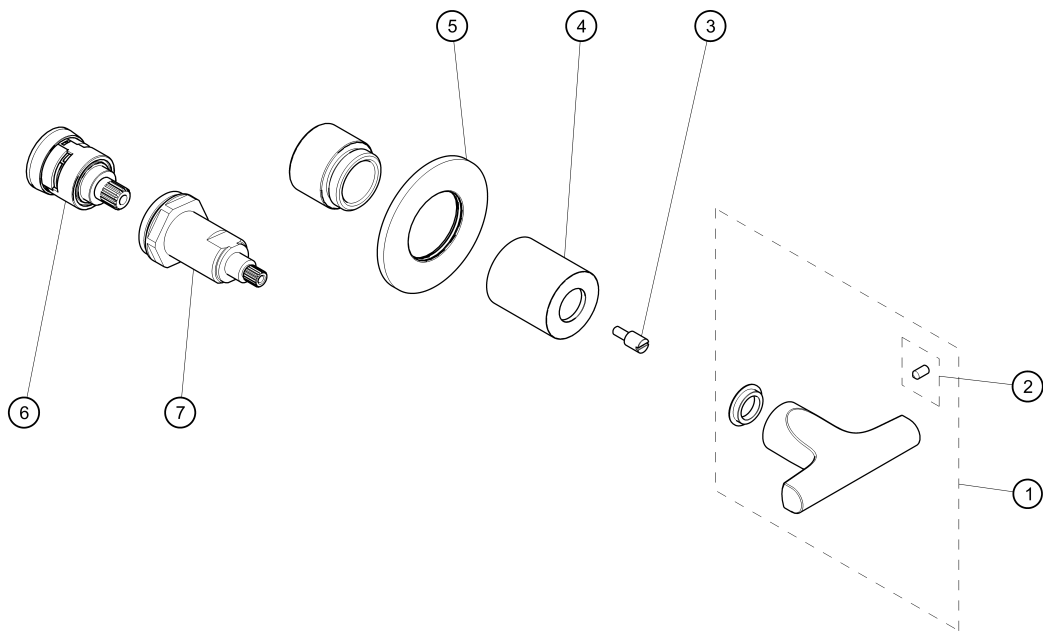


ART. J276BU+D376AU - 2-Way diverter with integrated volume control



ART. J276BU+D376AU - 2-Way diverter with integrated volume control

N°	Codice / Code	Descrizione / Description / Désignaton
1	67_J049	Diverter handle
2	90009540	Locking screw M4x8
3	9000Q994	Handle adaptor
4	90_Q826	Diverter Sleeve
5	90_Q929	Complete backplate
6	90008820	Diverter 1 entry 2-way with function OFF
7	9000Q639	Locking ring for diverter