

NOSTROMO SMALL



ART. G576BU+D377AU

3-Way diverter with integrated volume control

- For remote installation
- 1/2" NPT inlets and outlets
- Accessible shut-off valves and filters
- Flow rate: 8.7 gpm @ 60 psi (primary outlet)
- Flow rate: 7.4 gpm @ 60 psi (secondary outlet)
- Flow rate: 7.4 gpm @ 60 psi (third outlet)

To be used with thermostatic mixer G500BU+D400AU

Date _____

Project/Comments: _____

Trim

- | | |
|--|--------------|
| <input type="checkbox"/> Chrome | 87 02 G576BU |
| <input type="checkbox"/> Matte Black | 87 13 G576BU |
| <input type="checkbox"/> Matte Gun Metal PVD | 87 P5 G576BU |
| <input type="checkbox"/> Matte British Gold PVD | 87 P6 G576BU |
| <input type="checkbox"/> Matte Copper PVD | 87 P9 G576BU |
| <input type="checkbox"/> Deep Black PVD | 87 S1 G576BU |
| <input type="checkbox"/> Pure Brass PVD | 87 Q7 G576BU |
| <input type="checkbox"/> Raw Metal PVD | 87 Q8 G576BU |
| | |
| <input type="checkbox"/> Brushed Stainless steel | 87 93 G576BU |

Rough

- | | |
|--------------------------|--------------|
| <input type="checkbox"/> | 19 00 D377AU |
|--------------------------|--------------|

TOTAL PRICE

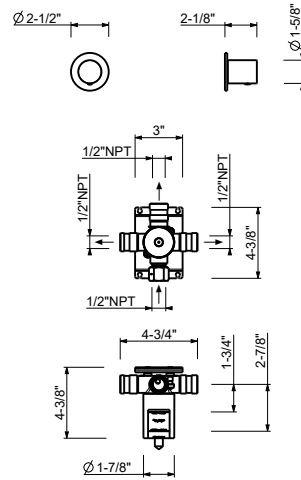
- | | |
|--|--------------|
| <input type="checkbox"/> Chrome | 87 02 G576BU |
| <input type="checkbox"/> Matte Black | 87 13 G576BU |
| <input type="checkbox"/> Matte Gun Metal PVD | 87 P5 G576BU |
| <input type="checkbox"/> Matte British Gold PVD | 87 P6 G576BU |
| <input type="checkbox"/> Matte Copper PVD | 87 P9 G576BU |
| <input type="checkbox"/> Deep Black PVD | 87 S1 G576BU |
| <input type="checkbox"/> Pure Brass PVD | 87 Q7 G576BU |
| <input type="checkbox"/> Raw Metal PVD | 87 Q8 G576BU |
| | |
| <input type="checkbox"/> Brushed Stainless steel | 87 93 G576BU |

NOSTROMO SMALL



ART. G576BU+D377AU

3-Way diverter with integrated volume control



Way number 1

| Pressure(PSI) | Waterflow (GPM/min) |
|---------------|---------------------|
| 7.25 | 8.86 |
| 14.5 | 3.31 |
| 29 | 4.64 |
| 43.5 | 5.71 |
| 58 | 6.6 |

Way number 2

| Pressure(PSI) | Waterflow (GPM/min) |
|---------------|---------------------|
| 7.25 | 2.08 |
| 14.5 | 2.91 |
| 29 | 4.08 |
| 43.5 | 5.02 |
| 58 | 5.8 |

Way number 3

| Pressure(PSI) | Waterflow (GPM/min) |
|---------------|---------------------|
| 7.25 | 2 |
| 14.5 | 2.85 |
| 29 | 4.07 |
| 43.5 | 4.98 |
| 58 | 5.78 |