



ART. G576BU+D377AU

3-Way diverter with integrated volume control

- For remote installation
- 1/2" NPT inlets and outlets
- Accessible shut-off valves and filters
- Handle included
- Flow rate: 8.7 gpm @ 60 psi (primary outlet)
- Flow rate: 7.4 gpm @ 60 psi (secondary outlet)
- Flow rate: 7.4 gpm @ 60 psi (third outlet)

To be used with thermostatic mixer G500BU+D400AU

Date _____

Project/Comments: _____

Trim

- | | |
|--|--------------|
| <input type="checkbox"/> Chrome | 87 02 G576BU |
| <input type="checkbox"/> Matte Black | 87 13 G576BU |
| <input type="checkbox"/> Matte White | 87 29 G576BU |
| <input type="checkbox"/> Matte Gun Metal PVD | 87 P5 G576BU |
| <input type="checkbox"/> Matte British Gold PVD | 87 P6 G576BU |
| <input type="checkbox"/> Matte Copper PVD | 87 P9 G576BU |
| <input type="checkbox"/> Deep Black PVD | 87 S1 G576BU |
| <input type="checkbox"/> Pure Brass PVD | 87 Q7 G576BU |
| <input type="checkbox"/> Raw Metal PVD | 87 Q8 G576BU |
|
 | |
| <input type="checkbox"/> Brushed Stainless steel | 87 93 G576BU |

Rough

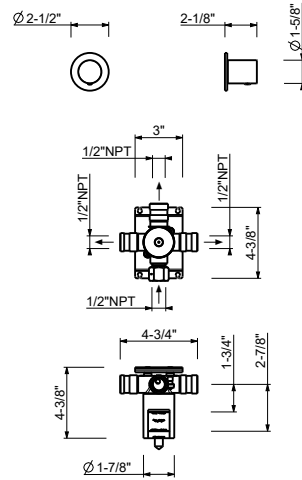
- | | |
|--------------------------|--------------|
| <input type="checkbox"/> | 19 00 D377AU |
|--------------------------|--------------|

TOTAL PRICE

- | | |
|--|--------------|
| <input type="checkbox"/> Chrome | 87 02 G576BU |
| <input type="checkbox"/> Matte Black | 87 13 G576BU |
| <input type="checkbox"/> Matte White | 87 29 G576BU |
| <input type="checkbox"/> Matte Gun Metal PVD | 87 P5 G576BU |
| <input type="checkbox"/> Matte British Gold PVD | 87 P6 G576BU |
| <input type="checkbox"/> Matte Copper PVD | 87 P9 G576BU |
| <input type="checkbox"/> Deep Black PVD | 87 S1 G576BU |
| <input type="checkbox"/> Pure Brass PVD | 87 Q7 G576BU |
| <input type="checkbox"/> Raw Metal PVD | 87 Q8 G576BU |
|
 | |
| <input type="checkbox"/> Brushed Stainless steel | 87 93 G576BU |

ART. G576BU+D377AU

3-Way diverter with integrated volume control



Way number 1

Pressure(PSI)	Waterflow (GPM/min)
7.25	8.86
14.5	3.31
29	4.64
43.5	5.71
58	6.6

Way number 2

Pressure(PSI)	Waterflow (GPM/min)
7.25	2.08
14.5	2.91
29	4.08
43.5	5.02
58	5.8

Way number 3

Pressure(PSI)	Waterflow (GPM/min)
7.25	2
14.5	2.85
29	4.07
43.5	4.98
58	5.78