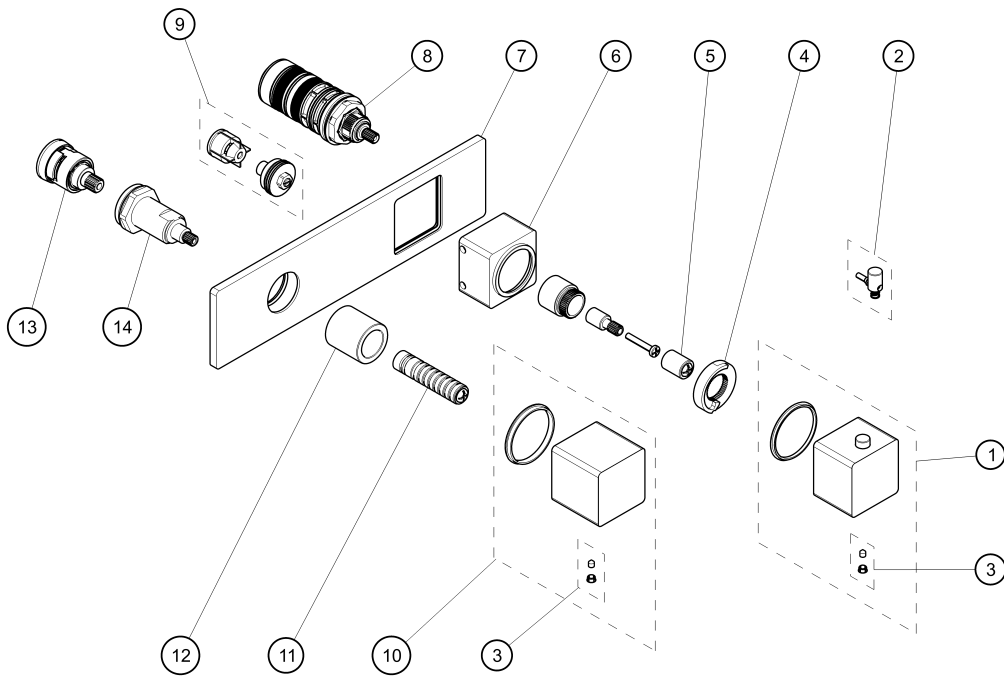


ART. F472BU+D373AU - 3/4" Thermostatic mixer with 3-way diverter



ART. F472BU+D373AU - 3/4" Thermostatic mixer with 3-way diverter

N°	Codice / Code	Descrizione / Description / Désignaton
1	90_Q941U	Complete thermostatic handle
2	90_Q975	Push-button with spring for Art. 3949
3	90_9665	Fixing kit
4	9000Z593	Clamp for thermostatic cartridge
5	9000Q918	Handle's adaptor
6	90_Q943	Regulation sleeve
7	90_8819	Complete cover plate
8	9000G571	Thermostatic cartridge
9	90008750	Couple valves
10	90_8823	Diverter handle
11	9000Q820	Adapter and screw
12	90008821	Diverter sleeve
13	90008825	Diverter 1 entry 3-way with function OFF
14	9000Q639	Locking ring for diverter