



# UEV-440

Hybrid Off Road Camper

 Up to 4

From \$59,990\*

\*Prices are subject to change

**MILITARY TOUGH**



**OVERVIEW**

Dimensions	Length 5m (Hitch to Rear Spare Wheel) Width 2.25m   Height 2.2m
Tare	1680kg
ATM	2250kg
Chassis	Hot-Dipped Galvanised
Construction	Exo-Skeleton Frame Composite Panel Roof 100% Timber Free
Water Capacity	150L   2 x 20L Jerry Cans
Occupant Capacity	Up to 4

Over 30 years of purpose built off-road campers with a South African Military heritage



FOGATTI



**CONQUEROROFFROAD.COM.AU**  
BRISBANE - PERTH - MELBOURNE



Check out our YouTube channel for walk-through & instructional videos

## BODY | CHASSIS | SUSPENSION

Powdercoated Exo-Skeleton Frame  
 Composite Panel Roof  
 Cruisemaster D035 All Terrain Pin Hitch  
 Hot-Dipped Galvanised Chassis  
 Firestone Independant Airbag Suspension  
 Airbag Man Compressor with external airline & gauge  
 Ironman Heavy Duty Shock Absorbers  
 Heavy Duty Jockey Wheel  
 Kenda Mud Terrain Tyres 285/75/R16  
 16" Black Alloy Wheels  
 1 x Spare Wheel  
 Electric Drum Brakes  
 4 x High Lift Jacking Points  
 Conqueror Adjustable Rear Stabilizers  
 Trailer Breakaway System  
 LED Rear Tail Lights  
 Conqueror Stainless Steel BBQ Plate (Rear Wheel Cover)  
 Axe + Spade included with secure mounting

## POWER | LIGHTING

Redarc BMS 30 & Redvision Screen  
 DC-DC Charger, 2 x Solar Inputs  
 2 x 100AH AGM Batteries (upgradable to lithium)  
 2 x 100 Watt Solar Panels  
 4 x Dual USB Charging Points (8 in total)  
 1 x Internal 240V GPO Powerpoint  
 1 x External 10 Amp GPO Powerpoint  
 Internal LED Lighting including around skylight hatch  
 External Lightbar above kitchen  
 Integrated LED soft lighting in awning  
 2 x Internal Fans  
 15 AMP 240V Charging Lead

## WATER

150L Water Tank  
 2 x 20L Water Jerry Cans (externally mounted)  
 Fogatti Instant Gas Hot Water System  
 Drawbar Tap

## STORAGE

Powdercoated Front Storage Box  
 Powdercoated Gas Bottle Storage (for 2x9kg bottles)  
 External Storage Hatches  
 4 x Internal Zippered Storage Compartments  
 Additional internal shelving  
 Internal tie-down eyelets

## KITCHEN | DINING

Conqueror External Slide Out Kitchen  
 2-Burner Dometic Gas Cooktop  
 SnoMaster 82L External Fridge/Freezer  
 Twin External Wash Basins with Hot Water Mixer Taps  
 External Pantry (can also be accessed internally)  
 Purpose Built Storage for cutlery & crockery (also included)  
 Purpose Built Bar/Shelf with Bottle Storage

## BEDDING

Double Bed (folds out to the front of camper)  
 Double Bed (folds out to the driver's side of camper)  
 Eggshell Memory Foam Mattress  
 Includes Bedding Set - 2 x Doonas, 4 x Pillows

## EXTERNAL ENSUITE

Quick Release Shower Tent with internal pockets  
 Portable Toilet included

## ENTERTAINMENT

22" Television swivel mounted with travel straps  
 AM/FM/CD/DVD Stereo with Bluetooth connectivity  
 4 Internal Surround Sound Speakers

## PROTECTION

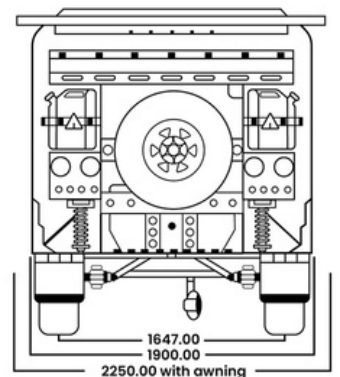
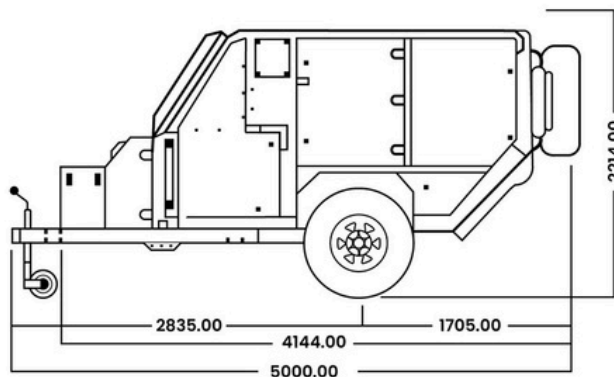
Conqueror 180° Batwing Awning on both sides  
 Complete Canvas Awning Walls for both sides  
 Skylight with Flyscreen & Blockout Blind  
 Midge-Proof Screens on all windows  
 Tropical Awning for Front Bed

## OTHER

Rear Door Access into Camper  
 Dust Suppression System  
 Marine Grade Carpet Flooring (removable)  
 Fire Extinguisher  
 Includes 4 x Outdoor Chairs

## OPTIONAL FEATURES

Lithium Battery Upgrade - 200/380/600AH  
 Redarc 2000 Watt Inverter  
 100W Portable Solar Blankets



Disclaimer: Specifications and inclusions shown are based on the MY2024