

HINO 300 Series

616 STD Cab



*Image may contain items not standard to the model

4 x 2 Cab Chassis

KEY FEATURES

- Pre-Collision System (PCS) including AEB & PD
- Vehicle Stability Control (VSC)
- Lane Departure Warning System (LDWS)
- Daytime Running Lamps (DRL)
- Dual SRS Airbags
- Reverse Camera
- ECE R-29 Cab Strength Certified
- Cruise Control**
- ADR 80/04 Emission level using Euro 6 Standard

KEY SPECIFICATIONS

- GVM.** 4,499kg
. optional 5,500kg
- GCM.** 8,000kg
- Power** 150hp/110kW
- Torque.** 440Nm
- Transmissions** 6 Speed Automatic
- Wheelbases** 2.5m, 3.4m
- Max Nominal Body Length** 3.4m, 4.8m



ENGINE

Model	Hino N04C-WN
Max. output (ISO Net) @ 2,700rpm	150hp/110kW
Max. torque (ISO Net) @ 1,300-2,200rpm	440Nm
Max. engine RPM	3,000
Engine compliance	ADR 80/04 using Euro 6 Standard
Type	Diesel, turbo & intercooled, 4 cylinder, OHV
Combustion system	Direct injection with EGR
Bore & stroke	104 x 118 mm
Piston displacement	4.009L
Fuel injection system	Electric control common rail
Air cleaner & intake	Under cab mounting dry paper element
Exhaust system	Horizontal outlet RHS
Emission control systems	DPR, DOC and SCR after treatments
Engine immobiliser	Equipped

TRANSMISSION & GEAR RATIOS

Make, model & Description	AUTOMATIC	
	Hino A862E 6 speed with double overdrive	
GEAR RATIOS	1	3.742
	2	2.003
	3	1.343
	4	1.000
	5	0.773
	6	0.634
	Reverse	3.539
Torque Convertor & Ratio	1.951	

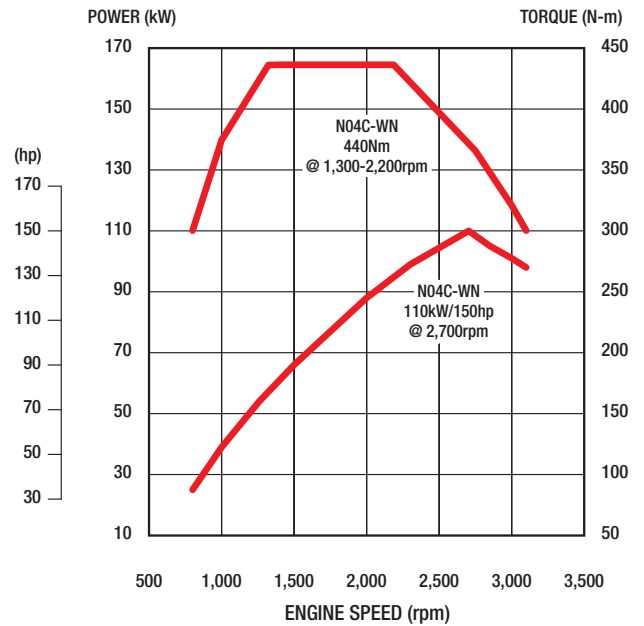
PERFORMANCE

Calculations based on 5.5T GVM with 185/85R16 tyres	
Engine RPM @ 100 km/h	2230
Max theoretical speed km/h	135
Gradeability tan @ GVM	60%
Rear axle ratio	4.625

BRAKES

Type	Ventilated disc front & rear
Control	Dual circuit VOH with power brake assist
Disc diameter	Front 296mm & Rear 281 mm
Exhaust Brake	Equipped
Park brake	Drum acting on transmission output shaft

POWER & TORQUE CHART (ISO NET) N04C-WN



SAFETY FEATURES

Active Safety Features			
Vehicle Stability Control	VSC	Equipped	
Anti-lock Brakes System	ABS	Equipped	
Pre-Collision System	PCS	Equipped	
PCS is inclusive of	Autonomous Emergency Braking	AEB	
	Pedestrian Detection	PD	
	Lane Departure Warning System	LDWS	
Traction Control	TC	Equipped	
Reverse Camera	RC	Equipped	
Daytime Running Lamps	DRL	Equipped	
Reverse Buzzer	Equipped		
Passive Safety Features			
ECE-R29 Cab Strength Certification	Equipped		
SRS airbags for driver & side passenger	Equipped		
SRS seatbelt pretensioner for driver & side passenger	Equipped		
Shock absorbing & collapsible steering column	Equipped		
Door Beams (anti side intrusion)	Equipped		

AXLE, SUSPENSION & LOAD LIMITS

FRONT	Front Axle Type	Independent Front Suspension (IFS)
	Suspension	Coil sprg, shock absorbers & Stabiliser bar
	Axle Limit (incl suspension)	2,400kg
	Tyre limit	2,180kg
REAR	Rear Axle Model & Type	SH12 fully floating single reduction
	Suspension	Taper leaf springs with Shock absorbers
	Axle Limit (incl suspension)	4,400 kg
	Tyre Limit	4,120 kg

CHASSIS FRAME

Type	Ladder-shaped channel section side rails
Chassis frame wheelbase variants	All
Depth Flange Thickness in mm	177.8 x 60 x 4.9
Chassis width (at rear)	700mm
Tensile Strength	540 N/mm ²
Tow Hook	Equipped (Front and Rear)

WHEELS & TYRES

Wheel type	5-Stud disc wheel (JIS type) PCD 203.2mm
Rim size	16" x 5.5" Offset 113mm
Tyre size	185/85R16 111/109
Number of wheels and tyres	Seven (7) including spare
Spare tyre carrier	Equipped

FUEL TANK & SUPPLY

Wheelbase (mm)	2,525	3,375
Material	Steel	
Tank Capacity	70L	100L
Lockable fuel cap	Equipped	
Fuel Filter	Primary, secondary & sedimenter	
Adblue® Tank (L)	13	

ELECTRICAL

Type	24 volt negative earth system
Batteries	12 volt x 60 AH 55D23L x 2
Alternator capacity	80 amp
Starter type	24V-4.5kW
Headlamps & Foglamps	LED
Day time Running Lamps (DRL's)	LED
Electric horn	Equipped
Reverse Buzzer	Equipped

STEERING

Type	Telescopic and Tilt adjustable steering column, Rack & Pinion with integral power steering	
Steering Angle	Inside 39°	Outside 35°

GENUINE ACCESSORY OPTIONS

Bullbar	GPS navigation with live traffic truck spec
Chrome wheel covers	Nudge bar
Cameras (up to additional 5 extra)	Seat covers (Wool, Canvas, Carbon)
Dash Camera (DVR camera system)	Stone guard
Dash mat	Sunvisor
Floor mats	Weathershields

Please check with your dealer for availability, price & fitment

CAB EXTERIOR

Type	Forward control, all steel, welded construction, torsion-bar tilt mechanism, fully trimmed
Windscreen wipers washers	Dual wiper arms with intermittent & 2 speeds
Grille Colour	Painted same colour as the cab
Outside rearview mirrors	2 Flat type main, heated & electric control 2 convex spotter type, mounted below the main
Windscreen Glass	Heat absorbing laminated glass

CAB INTERIOR

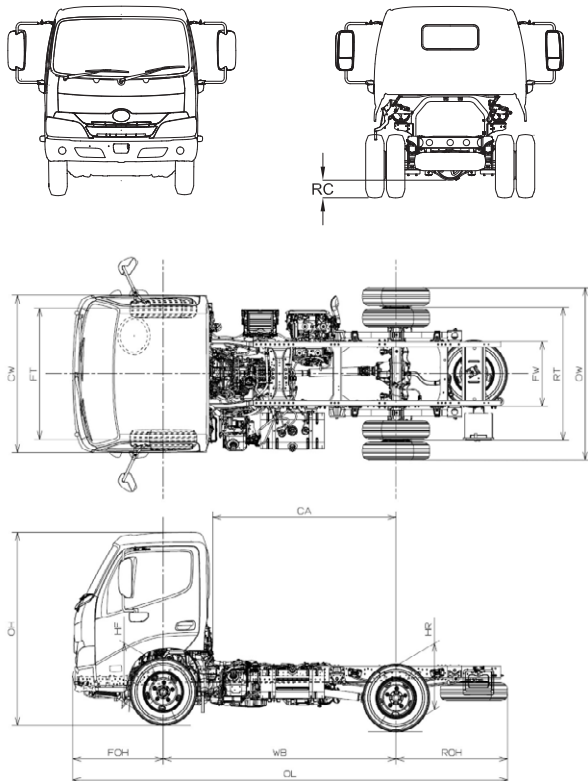
Seating Capacity	Three (3)	
Driver's seat	2-way adjustable, urethane foam pads	
Assistant's Seat	Fixed bench, split back, urethane foam pads	
Seat Covering	Fabric cover	
Seat belts	Driver's seat	3-point Lap / Sash type with ELR and pre-tensioner
	Assistant's seat	
	Centre seat	2-point Lap type
SRS airbags	Driver & side passenger	
Sunvisor & overhead consoles	Driver & side passenger	
Inside rearview mirror	Single centre mounted flat type	
Lighter / 24 volt socket	Equipped	
Multimedia system	10.1" UXGA capacity touch screen, wireless Apple CarPlay and Android auto compatible, AM/FM+RDS/DAB + radio, Bluetooth 5.0 phone and audio, input for up to 6 cameras, USB 2.0 and 3.0, 2.4 Ghz Wi-Fi enabled	
Heater & Air conditioner	Equipped with 4 speed fan	
Central & remote door locking	Equipped with Immobiliser	
Power windows	Equipped	
Drivers footrest	Equipped for Auto models	
Driver's seat back pocket	Equipped	
Centre fold down tray	Equipped	
Cup holders	Sides of dash	
Tool kit & Jack	Equipped	
1 courtesy & 2 LED reading lights	Equipped	

INSTRUMENTATION & CONTROLS

Meters & Gauges	Multi Information Display (MID)
Speedometer	Safety feature settings
Tachometer	General information settings
LCD Display	Eco driving
Clock	DPR filter gauge
Battery warning	Cruise control settings
Coolant	Dash mounted switches
Fuel	Heater & A/C controls
ODO meter	LDWS off
Steering wheel & Column controls	PCS off
MID setting	VSC off
Cruise control settings	Headlight leveller
Hands free phone	Hazard lights
Lights & Indicator	DPR manual regeneration
Exhaust brake & wiper washer	

HINO 300 Series

616 STD Cab



DIMENSIONS (MM) / WEIGHTS (KG) / CAPACITIES (L)

Model Description		616 AT 2525 STD	616 AT 3375 STD
Product Code		XZU605R-WKTMVQ3	XZU655R-WKTMVQ3
Nom Body length ((WBx.06)+CA-80)		3,460	4,820
Wheelbase (WB)		2,525	3,375
Overall length (OL)		4,710	5,965
Overall width (OW) (rear tyres)		1,850	
Overall height (OH)		2,095	
Cab width		1,695	
Cab to rear Axle centre (CA)		2,025	2,875
Front Overhang (FOH)		980	
Rear Overhang (ROH)		1,135	1,580
Front Chassis Height (FCH)		655	
Rear Chassis Height (RCH)		690	
Road Clearance (RC)		170	
Front Track (FT)		1,400	
Rear Track (RT)		1,435	
Turning Circle	Kerb to Kerb	9,600	12,600
	Wall to Wall	10,800	13,800
Indicative chassis mass—kg (STD tools, 10 litres of fuel, spare tyre & subject to a +/- 3% tolerance)			
Total		2,150	2,200
Front		1,435	1,485
Rear		715	
Standard Ratings	GVM	4,499	
	GCM	7,999	
Optional Ratings	GVM	5,500	
	GCM	8,000	

Drawings are for reference only to the table. For specific layouts please refer to the Body Mounting Manual drawings.

WARRANTY

New vehicle warranty period

Light Duty Model	Axle configuration	Standard warranty (whichever comes first)
300 Series	4 x 2	5 years or 250,000km

Battery warranty – 12 months from date of delivery

* For conditions, refer to the Hino Parts & Service warranty brochure

Genuine parts or accessories warranty – 3 years unlimited kilometres when fitted by an authorised Hino dealer *



DISCLAIMER

Important notice – Hino Trucks are distributed in Australia by Hino Motor Sales Australia Pty Ltd A C N 064 989 724. All efforts have been made to ensure the information contained in this brochure was correct at time of printing or uploading. Hino Motor Sales Australia Pty Ltd reserves the right to alter any details of the specifications and equipment without notice. Hino in so far as it is permitted by law to do so, shall not be liable in any way as a result of any reliance placed by any person on anything contained in this brochure. You should therefore check with your authorised Hino dealer at the time of ordering your motor vehicle to ensure that colour, specifications, equipment, design features and options are available for the vehicle you are ordering. Please note that some options may only be available in combination with others. Authorised Hino dealers will on request provide up to date information on all accessories, design features, prices & availability. **Maximum Cruise control setting 106 km/h. *** GVM ratings of 4,499kg are conditional that the ADR definition of a "Goods Vehicle" can be met.