

HINO 300 Series

816 Wide Cab



*Image may contain items not standard to the model

4 x 2 Cab Chassis

KEY FEATURES

- Pre-Collision System (PCS) including AEB & PD
- Vehicle Stability Control (VSC)
- Lane Departure Warning System (LDWS)
- Daytime Running Lamps (DRL)
- Dual SRS Airbags
- Reverse Camera
- ECE R-29 Cab Strength Certified
- Cruise Control**
- ADR 80/04 Emission level using Euro 6 Standard

KEY SPECIFICATIONS

Model	816
GVM	8,000kg
.	optional 4,499kg
GCM	8,000kg
Power	150hp/110kW
Torque	440Nm
Transmissions	6 spd Automatic
Wheelbases	3.4m, 3.9m
Max Nominal Body Length	4.8m, 5.6m,



ENGINE

Model	816 Automatic
Engine model	Hino N04C-WN
Max. output (ISO Net) @ 2,700rpm	150hp/110kW
Max. torque (ISO Net) @ 1,300-2,200rpm	440Nm
Max. engine RPM	3,000
Engine compliance	ADR 80/04 using Euro 6 Standard
Type	Diesel, turbo & intercooled, 4 cylinder, OHV
Combustion system	Direct injection with EGR
Bore & stroke	104 x 118 mm
Piston displacement	4.009L
Fuel injection system	Electric control common rail
Air cleaner & intake	Behind cab mounting snorkel & dry paper element
Exhaust system	Horizontal outlet RHS
Emission control systems	DPR, DOC & SCR after treatments
Engine immobiliser	Equipped

TRANSMISSION & GEAR RATIOS

Make, model & Description	AUTOMATIC	
	Hino A862E 6 speed with double overdrive	
GEAR RATIOS	1	3.742
	2	2.003
	3	1.343
	4	1.000
	5	0.773
	6	0.634
	Reverse	3.539
Torque Converter & Ratio	1.951	

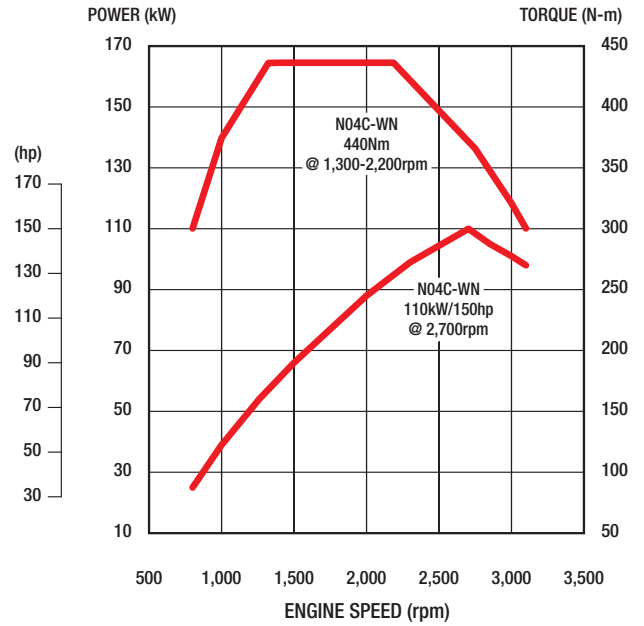
PERFORMANCE

Calculations based on 225/80R17.5 tyres	
Engine RPM @ 100 km/h	2,525
Max theoretical speed km/h	118
Gradeability tan @ GVM	60%
Rear axle ratio	5.857

BRAKES

Type	Ventilated disc front & rear
Control	Dual circuit VOH with power brake assist
Disc diameter	Front 287mm & Rear 287mm
Exhaust Brake	Equipped
Park brake	Drum acting on transmission output shaft

POWER & TORQUE CHART (ISO NET) N04C-WN



SAFETY FEATURES

Active Safety Features		
Vehicle Stability Control	VSC	Equipped
Anti-lock Brakes System	ABS	Equipped
Pre-Collision System	PCS	Equipped
PCS is inclusive of	Autonomous Emergency Braking	AEB
	Pedestrian Detection	PD
	Lane Departure Warning System	LDWS
Traction Control	TC	Equipped
Reverse Camera	RC	Equipped
Daytime Running Lamps	DRL	Equipped
Reverse Buzzer	Equipped	
Passive Safety Features		
ECE-R29 Cab Strength Certification	Equipped	
SRS airbags for driver & side passenger	Equipped	
SRS seatbelt pretensioner for driver & side passenger	Equipped	
Shock absorbing & collapsible steering column	Equipped	
Door Beams (anti side intrusion)	Equipped	

AXLE, SUSPENSION & LOAD LIMITS

	Front Axle Type	Reverse Elliot I-beam
FRONT	Suspension	Taper Leaf sprg, shock absorbers & Stabiliser bar
	Axle Limit (incl suspension)	3,100kg
	Tyre limit	3,100kg
	Rear Axle Model & Type	SH13 Fully floating single reduction
REAR	Suspension	Taper Leaf sprg, shock absorbers & Stabiliser bar
	Axle Limit (incl suspension)	6,200kg
	Tyre Limit	6,000kg

CHASSIS FRAME

Type	Ladder-shaped channel section side rails
Chassis frame wheelbase variants	All
Depth Flange Thickness in mm	192.8 x 65 x 5.9
Chassis width (at rear)	750mm
Tensile Strength	540 N/mm ²
Tow Hook	Equipped

WHEELS & TYRES

Wheel type	6-Stud disc wheel (JIS type) PCD 222.25mm
Rim size	17.5" x 6.0" Offset 127mm
Tyre size	225/80R17.5 123/122
Number of wheels and tyres	Seven (7) including spare
Spare tyre carrier	Equipped

FUEL TANK & SUPPLY

Wheelbase variants	All
Material	Steel
Tank Capacity	150L
Lockable fuel cap	Equipped
Fuel Filter	Primary, secondary & sedimenter
Adblue® Tank (L)	13

ELECTRICAL

Type	24 volt negative earth system
Batteries	12 volt x 60 AH 55D23L x 2
Alternator capacity	80 amp
Starter type	24V-4.5kW
Headlamps & Foglamps	LED
Daytime Running Lamps (DRL's)	LED
Electric horn	Equipped
Reverse Buzzer	Equipped

STEERING

Type	Telescopic and Tilt adjustable steering column, recirculating ball integral power steering	
Steering Angle	Inside 44°	Outside 34°

GENUINE ACCESSORY OPTIONS

Bullbar	GPS navigation with live traffic truck spec
Chrome wheel covers	Seat covers (Wool, Canvas, Carbon)
Cameras (up to additional 5 extra)	Stone guard
Dash mat	Sunvisor
Dash Camera (DVR camera system)	Weathershields
Floor mats	

Please check with your dealer for availability, price & fitment

CAB EXTERIOR

Type	Forward control, all steel, welded construction, torsion-bar tilt mechanism, fully trimmed
Windscreen wipers washers	Dual wiper arms with intermittent & 2 speeds
Grille Colour	Painted same colour as the cab
Outside rearview mirrors	2 Flat type main, heated & electric control 2 convex spotter type, mounted below the main
Windscreen Glass	Heat absorbing laminated glass

CAB INTERIOR

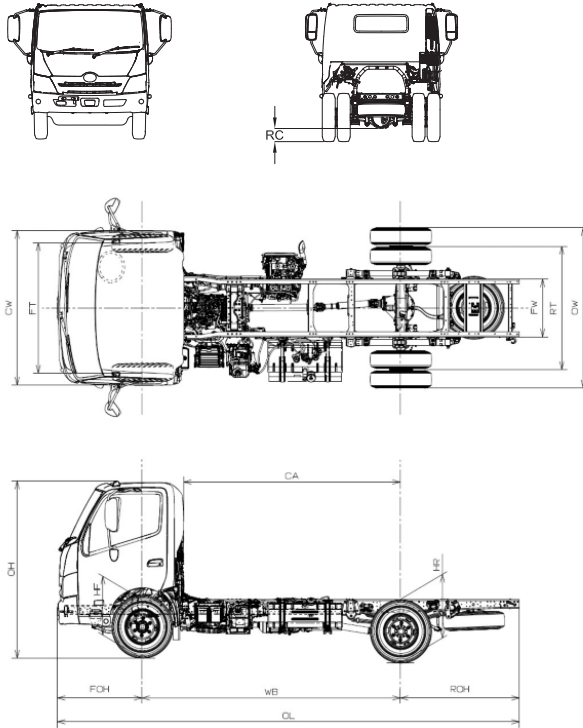
Seating Capacity	Three (3)	
Driver's seat	2-way adjustable, urethane foam pads with suspension	
Assistant's Seat	Fixed bench, split back, urethane foam pads	
Seat Covering	Fabric cover	
Seat belts	Driver's seat	3-point Lap/Sash type with ELR and pre-tensioner
	Assistant's seat	
	Centre seat	2-point Lap type
SRS airbags	Driver & side passenger	
Sun visor & overhead consoles	Driver & side passenger	
Inside rearview mirror	Single centre mounted flat type	
Lighter/24 volt socket	Equipped	
Multimedia unit	10.1" UXGA capacity touch screen, wireless Apple CarPlay and Android auto compatible, AM/FM+RDS/DAB + radio, Bluetooth 5.0 phone and audio, input for up to 6 cameras, USB 2.0 and 3.0, 2.4 Ghz Wi-Fi enabled	
Heater & Air conditioner	Equipped with 4 speed fan	
Central & remote door locking	Equipped with Immobiliser	
Power windows	Equipped	
Drivers footrest	Equipped for Auto models	
Driver's seat back pocket	Equipped	
Centre fold down tray	Equipped	
Cup holders	Sides of dash & centre console	
Tool kit & Jack	Equipped	
1 courtesy & 2 LED reading lights	Equipped	

INSTRUMENTATION & CONTROLS

Meters & Gauges	Multi Information Display (MID)
Speedometer	Safety feature settings
Tachometer	General information settings
LCD Display	Eco driving
Clock	DPR filter gauge
Battery warning	Cruise control settings
Coolant	Dash mounted switches
Fuel	Heater & A/C controls
ODO meter	LDWS off
Steering wheel & Column controls	PCS off
MID setting	VSC off
Cruise control settings	Headlight leveller
Hands free phone	Hazard lights
Lights & Indicator	DPR manual regeneration
Exhaust brake & wiper washer	

HINO 300 Series

816 Wide Cab



DIMENSIONS (MM) / WEIGHTS (KG) / CAPACITIES (L)

Model Description	816 AT 3430 WIDE	816 AT 3870 WIDE	
Product Code	XZU710R-WKTSVQ3	XZU720R-WKTSVQ3	
Max Nom Body length (WBx0.6)+CA-80)	4,848	5,552	
Wheelbase (WB)	3,430	3,870	
Overall length (OL)	6,135	6,750	
Cab Width (CW)	1,995		
Over All Width Rear Tyres (OAWRT)	2,065		
Overall height (OH)	2,245		
Cab to rear Axle centre (CA)	2,860	3,300	
Front Overhang (FOH)	1,125		
Rear Overhang (ROH)	1,575	1,755	
Front Chassis Height (FCH)	730	725	
Rear Chassis Height (RCH)	810		
Road Clearance (RC)	200		
Front Track (FT)	1,655		
Rear Track (RT)	1,590		
Turning Circle	Kerb to Kerb	12,400	13,800
	Wall to Wall	13,800	15,200
Indicative chassis mass—kg (STD tools, 10 litres of fuel, spare tyre & subject to a +/- 3% tolerance)			
Total	2,605	2,625	
Front	1,690	1,710	
Rear	915		
Standard Ratings	GVM	8,000	
	GCM	8,000	
Optional Ratings	GVM	4,499	
	GCM	7,999	

Drawings are for reference only to the table. For specific layouts please refer to the Body Mounting Manual drawings.

WARRANTY

New vehicle warranty period

Light Duty Model	Axle configuration	Standard warranty (whichever comes first)
300 Series	4 x 2	5 years or 250,000km

Battery warranty – 12 months from date of delivery

* For conditions, refer to the Hino Parts & Service warranty brochure

Genuine parts or accessories warranty – 3 years unlimited kilometres when fitted by an authorised Hino dealer *



DISCLAIMER

Important notice – Hino Trucks are distributed in Australia by Hino Motor Sales Australia Pty Ltd A C N 064 989 724. All efforts have been made to ensure the information contained in this brochure was correct at time of printing or uploading. Hino Motor Sales Australia Pty Ltd reserves the right to alter any details of the specifications and equipment without notice. Hino in so far as it is permitted by law to do so, shall not be liable in any way as a result of any reliance placed by any person on anything contained in this brochure. You should therefore check with your authorised Hino dealer at the time of ordering your motor vehicle to ensure that colour, specifications, equipment, design features and options are available for the vehicle you are ordering. Please note that some options may only be available in combination with others. Authorised Hino dealers will on request provide up to date information on all accessories, design features, prices & availability. **Maximum Cruise control setting 106 km/h. *** GVM ratings of 4,499kg are conditional that the ADR definition of a "Goods Vehicle" can be met.