

HINO 300 Series

616 Wide Cab



*Image may contain items not standard to the model

4 x 2 Cab Chassis

KEY FEATURES

- Pre-Collision System (PCS) including AEB & PD
- Vehicle Stability Control (VSC)
- Lane Departure Warning System (LDWS)
- Daytime Running Lamps (DRL)
- Dual SRS Airbags
- Reverse Camera
- ECE R-29 Cab Strength Certified
- Cruise Control**
- ADR 80/04 Emission level using Euro 6 Standard

KEY SPECIFICATIONS

| | |
|--|------------------|
| Model | 616 |
| GVM | 4,499kg |
| | optional 5,500kg |
| GCM | 8,000kg |
| Power | 150hp/110kW |
| Torque | 440Nm |
| Transmissions | 6 spd Automatic |
| Wheelbases | 2.8m, 3.4m, 3.9m |
| Max Nominal Body Length | 3.9m, 4.8m, 5.6m |



ENGINE

| | |
|--|---|
| Model | 616 Automatic |
| Engine model | Hino N04C-WN |
| Max. output (ISO Net) @ 2,700rpm | 150hp/110kW |
| Max. torque (ISO Net) @ 1,300-2,200rpm | 440Nm |
| Max. engine RPM | 3,000 |
| Engine compliance | ADR 80/04 using Euro 6 Standard |
| Type | Diesel, turbo & intercooled, 4 cylinder, OHV |
| Combustion system | Direct injection with EGR |
| Bore & stroke | 104 x 118 mm |
| Piston displacement | 4.009L |
| Fuel injection system | Electric control common rail |
| Air cleaner & intake | Behind cab mounting snorkel & dry paper element |
| Exhaust system | Horizontal outlet RHS |
| Emission control systems | DPR, DOC & SCR after treatments |
| Engine immobiliser | Equipped |

TRANSMISSION & GEAR RATIOS

| Make, model & Description | AUTOMATIC | |
|---------------------------|--|-------|
| | Hino A862E 6 speed with double overdrive | |
| GEAR RATIOS | 1 | 3.742 |
| | 2 | 2.003 |
| | 3 | 1.343 |
| | 4 | 1.000 |
| | 5 | 0.773 |
| | 6 | 0.634 |
| | Reverse | 3.539 |
| Torque Convertor & Ratio | 1.951 | |

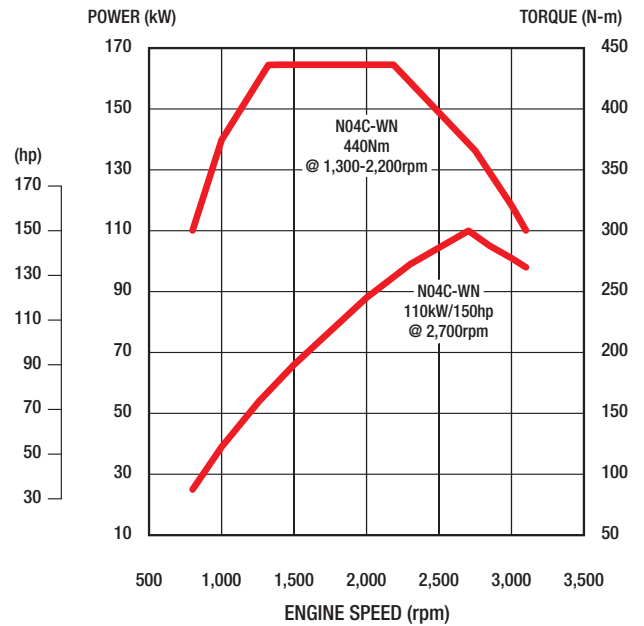
PERFORMANCE

| | |
|---|-------|
| Calculations based on 5.5T GVM with 195/85R16 tyres | |
| Engine RPM @ 100 km/h | 2,165 |
| Max theoretical speed km/h | 135 |
| Gradeability tan @ GVM | 60% |
| Rear axle ratio | 4.625 |

BRAKES

| | |
|---------------|--|
| Type | Ventilated disc front & rear |
| Control | Dual circuit VOH with power brake assist |
| Disc diameter | Front 296mm & Rear 281mm |
| Exhaust Brake | Equipped |
| Park brake | Drum acting on transmission output shaft |

POWER & TORQUE CHART (ISO NET) N04C-WN



SAFETY FEATURES

| Active Safety Features | | | |
|---|-------------------------------|----------|------|
| Vehicle Stability Control | VSC | Equipped | |
| Anti-lock Brakes System | ABS | Equipped | |
| Pre-Collision System | PCS | Equipped | |
| PCS is inclusive of | Autonomous Emergency Braking | | AEB |
| | Pedestrian Detection | | PD |
| | Lane Departure Warning System | | LDWS |
| Traction Control | TC | Equipped | |
| Reverse Camera | RC | Equipped | |
| Daytime Running Lamps | DRL | Equipped | |
| Reverse Buzzer | Equipped | | |
| Passive Safety Features | | | |
| ECE-R29 Cab Strength Certification | | Equipped | |
| SRS airbags for driver & side passenger | | Equipped | |
| SRS seatbelt pretensioner for driver & side passenger | | Equipped | |
| Shock absorbing & collapsible steering column | | Equipped | |
| Door Beams (anti side intrusion) | | Equipped | |

AXLE, SUSPENSION & LOAD LIMITS

| FRONT | Front Axle Type | Reverse Elliot I-beam |
|-------|-------------------------------|---|
| | Suspension | Taper Leaf sprg, shock absorbers & Stabiliser bar |
| | Axle Limit (incl. suspension) | 2,600kg |
| | Tyre limit | 2,360kg |
| REAR | Rear Axle Model & Type | SH12 fully floating single reduction |
| | Suspension | Taper Leaf sprg, shock absorbers & Stabiliser bar |
| | Axle Limit (incl. suspension) | 4,400kg |
| | Tyre Limit | 4,400kg |

CHASSIS FRAME

| | | |
|----------------------------------|--|------------------|
| Type | Ladder-shaped channel section side rails | |
| Chassis frame wheelbase variants | 2810 & 3430 | 3870 |
| Depth Flange Thickness in mm | 190.8 x 65 x 4.9 | 192.8 x 65 x 5.9 |
| Chassis width (at rear) | 750mm | |
| Tensile Strength | 540 N/mm ² | |
| Tow Hook | Equipped | |

WHEELS & TYRES

| | | |
|----------------------------|--|--|
| Wheel type | 5-Stud disc wheel (JIS type) PCD 203.2mm | |
| Rim size | 16" x 5.5" Offset 113mm | |
| Tyre size | 195/85R16 114/112 | |
| Number of wheels and tyres | Seven (7) including spare | |
| Spare tyre carrier | Equipped | |

FUEL TANK & SUPPLY

| | | |
|--------------------|---------------------------------|-------------|
| Wheelbase variants | 2810 | 3430 & 3870 |
| Material | Steel | |
| Tank Capacity | 80L | 150L |
| Lockable fuel cap | Equipped | |
| Fuel Filter | Primary, secondary & sedimenter | |
| Adblue® Tank (L) | 13 | |

ELECTRICAL

| | | |
|-------------------------------|-------------------------------|--|
| Type | 24 volt negative earth system | |
| Batteries | 12 volt x 60 AH 55D23L x 2 | |
| Alternator capacity | 80 amp | |
| Starter type | 24V-4.5kW | |
| Headlamps and Foglamps | LED | |
| Daytime Running Lamps (DRL's) | LED | |
| Electric horn | Equipped | |
| Reverse Buzzer | Equipped | |

STEERING

| | | |
|----------------|--|-------------|
| Type | Telescopic and Tilt adjustable steering column, recirculating ball integral power steering | |
| Steering Angle | Inside 51° | Outside 36° |

GENUINE ACCESSORY OPTIONS

| | |
|------------------------------------|---|
| Bullbar | GPS navigation with live traffic truck spec |
| Chrome wheel covers | Seat covers (Wool, Canvas, Carbon) |
| Cameras (up to additional 5 extra) | Stone guard |
| Dash mat | Sunvisor |
| Dash Camera (DVR camera system) | Weathershields |
| Floor mats | |

Please check with your dealer for availability, price & fitment

CAB EXTERIOR

| | | |
|---------------------------|--|--|
| Type | Forward control, all steel, welded construction, torsion-bar tilt mechanism, fully trimmed | |
| Windscreen wipers washers | Dual wiper arms with intermittent & 2 speeds | |
| Grille Colour | Painted same colour as the cab | |
| Outside rearview mirrors | 2 Flat type main, heated & electric control 2 convex spotter type, mounted below the main | |
| Windscreen Glass | Heat absorbing laminated glass | |

CAB INTERIOR

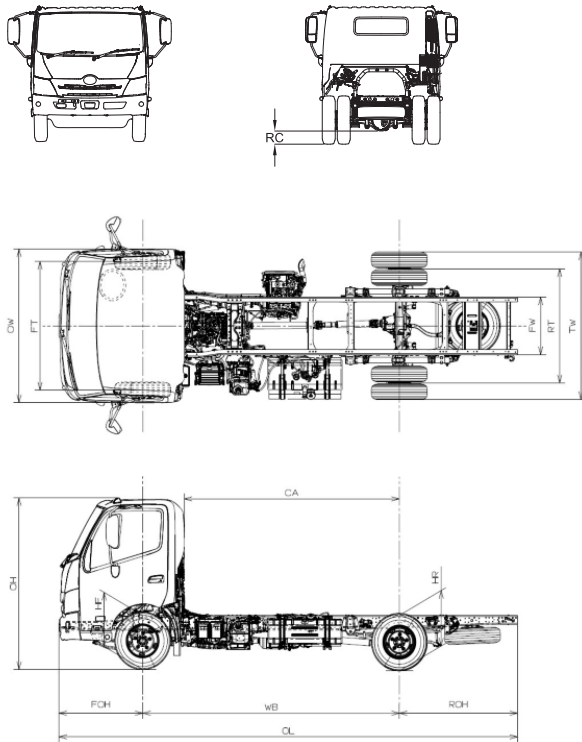
| | | |
|-----------------------------------|---|--|
| Seating Capacity | Three (3) | |
| Driver's seat | 2-way adjustable, urethane foam pads with suspension | |
| Assistant's Seat | Fixed bench, split back, urethane foam pads | |
| Seat Covering | Fabric cover | |
| Seat belts | Driver's seat | 3-point Lap/Sash type with ELR and pre-tensioner |
| | Assistant's seat | |
| | Centre seat | 2-point Lap type |
| SRS airbags | Driver & side passenger | |
| Sun visor & overhead consoles | Driver & side passenger | |
| Inside rearview mirror | Single centre mounted flat type | |
| Lighter/24 volt socket | Equipped | |
| Multimedia unit | 10.1" UXGA capacity touch screen, wireless Apple CarPlay and Android auto compatible, AM/FM+RDS/DAB + radio, Bluetooth 5.0 phone and audio, input for up to 6 cameras, USB 2.0 and 3.0, 2.4 Ghz Wi-Fi enabled | |
| Heater & Air conditioner | Equipped with 4 speed fan | |
| Central & remote door locking | Equipped with Immobiliser | |
| Power windows | Equipped | |
| Drivers footrest | Equipped for Auto models | |
| Driver's seat back pocket | Equipped | |
| Centre fold down tray | Equipped | |
| Cup holders | Sides of dash & centre console | |
| Tool kit & Jack | Equipped | |
| 1 courtesy & 2 LED reading lights | Equipped | |

INSTRUMENTATION & CONTROLS

| | |
|---|--|
| Meters & Gauges | Multi Information Display (MID) |
| Speedometer | Safety feature settings |
| Tachometer | General information settings |
| LCD Display | Eco driving |
| Clock | DPR filter gauge |
| Battery warning | Cruise control settings |
| Coolant | Dash mounted switches |
| Fuel | Heater & A/C controls |
| ODO meter | LDWS off |
| Steering wheel & Column controls | PCS off |
| MID setting | VSC off |
| Cruise control settings | Headlight leveller |
| Hands free phone | Hazard lights |
| Lights & Indicator | DPR manual regeneration |
| Exhaust brake & wiper washer | |

HINO 300 Series

616 Wide Cab



DIMENSIONS (MM) / WEIGHTS (KG) / CAPACITIES (L)

| Model Description | 616 AT 2810 WIDE | 616 AT 3430 WIDE | 616 AT 3870 WIDE |
|---|---------------------|---------------------|---------------------|
| Product Code | XZU700R-WKTMVQ3 | XZU710R-WKTMVQ3 | XZU720R-WKTMVQ3 |
| Max Nom Body length (WBx0.6)+CA-80) | 3,856 | 4,848 | 5,552 |
| Wheelbase (WB) | 2,810 | 3,430 | 3,870 |
| Overall length (OL) | 5,210 | 6,135 | 6,750 |
| Cab Width (CW) | | 1,995 | |
| Over All Width Rear Tyres (OAWRT) | | 1,905 | |
| Overall height (OH) | | 2,200 | |
| Cab to rear Axle centre (CA) | 2,240 | 2,860 | 3,300 |
| Front Overhang (FOH) | | 1,125 | |
| Rear Overhang (ROH) | 1,275 | 1,580 | 1,755 |
| Front Chassis Height (FCH) | | 680 | |
| Rear Chassis Height (RCH) | | 750 | |
| Road Clearance (RC) | | 170 | |
| Front Track (FT) | | 1,665 | |
| Rear Track (RT) | | 1,480 | |
| Turning Circle | Kerb to Kerb | 9,800 | 11,800 |
| | Wall to Wall | 11,200 | 13,200 |
| Indicative chassis mass—kg (STD tools, 10 litres of fuel, spare tyre & subject to a +/- 3% tolerance) | | | |
| Total | 2,350 | 2,400 | 2,445 |
| Front | 1,650 | 1,645 | 1,675 |
| Rear | 705 | 760 | 780 |
| Standard Ratings | GVM | | 4,499 |
| | GCM | | 7,999 |
| Optional Ratings | GVM | | 5,500 |
| | GCM | | 8,000 |

Drawings are for reference only to the table. For specific layouts please refer to the Body Mounting Manual drawings.

WARRANTY

New vehicle warranty period

| Light Duty Model | Axle configuration | Standard warranty (whichever comes first) |
|------------------|--------------------|--|
| 300 Series | 4 x 2 | 5 years or 250,000km |

Battery warranty – 12 months from date of delivery

* For conditions, refer to the Hino Parts & Service warranty brochure

Genuine parts or accessories warranty – 3 years unlimited kilometres when fitted by an authorised Hino dealer *



DISCLAIMER

Important notice – Hino Trucks are distributed in Australia by Hino Motor Sales Australia Pty Ltd A C N 064 989 724. All efforts have been made to ensure the information contained in this brochure was correct at time of printing or uploading. Hino Motor Sales Australia Pty Ltd reserves the right to alter any details of the specifications and equipment without notice. Hino in so far as it is permitted by law to do so, shall not be liable in any way as a result of any reliance placed by any person on anything contained in this brochure. You should therefore check with your authorised Hino dealer at the time of ordering your motor vehicle to ensure that colour, specifications, equipment, design features and options are available for the vehicle you are ordering. Please note that some options may only be available in combination with others. Authorised Hino dealers will on request provide up to date information on all accessories, design features, prices & availability. **Maximum Cruise control setting 106 km/h. *** GVM ratings of 4,499kg are conditional that the ADR definition of a "Goods Vehicle" can be met.