

# HINO 300 Series

## 716 Wide Cab



\*Image may contain items not standard to the model

**4 x 2 Cab Chassis**

## KEY FEATURES

- Pre-Collision System (PCS) including AEB & PD
- Vehicle Stability Control (VSC)
- Lane Departure Warning System (LDWS)
- Daytime Running Lamps (DRL)
- Dual SRS Airbags
- Reverse Camera
- ECE R-29 Cab Strength Certified
- Cruise Control\*\*
- ADR 80/04 Emission level using Euro 6 Standard

## KEY SPECIFICATIONS

<b>Models</b>	716
<b>GVM</b> . . . . .	6,500kg
. . . . .	optional 4,499kg
<b>GCM</b> . . . . .	8,000kg
<b>Power</b> . . . . .	150hp/110kW
<b>Torque</b> . . . . .	440Nm
<b>Transmissions</b> . . . . .	6 spd Automatic
<b>Wheelbases</b> . . . . .	3.4m, 3.9m
<b>Max Nominal Body Length</b> . . . . .	4.8m, 5.6m



## ENGINE

Model	716 Automatic
Engine model	Hino N04C-WN
Max. output (ISO Net) @ 2,700rpm	150hp/110kW
Max. torque (ISO Net) @ 1,300-2,200rpm	440Nm
Max. engine RPM	3,000
Engine compliance	ADR 80/04 using Euro 6 Standard
Type	Diesel, turbo & intercooled, 4 cylinder, OHV
Combustion system	Direct injection with EGR
Bore & stroke	104 x 118 mm
Piston displacement	4.009L
Fuel injection system	Electric control common rail
Air cleaner & intake	Behind cab mounting snorkel & dry paper element
Exhaust system	Horizontal outlet RHS
Emission control systems	DPR, DOC and SCR after treatments
Engine immobiliser	Equipped

## TRANSMISSION & GEAR RATIOS

Make, model & Description	AUTOMATIC	
	Hino A862E 6 speed with double overdrive	
GEAR RATIOS	1	3.742
	2	2.003
	3	1.343
	4	1.000
	5	0.773
	6	0.634
	Reverse	3.539
Torque Convertor & Ratio	1.951	

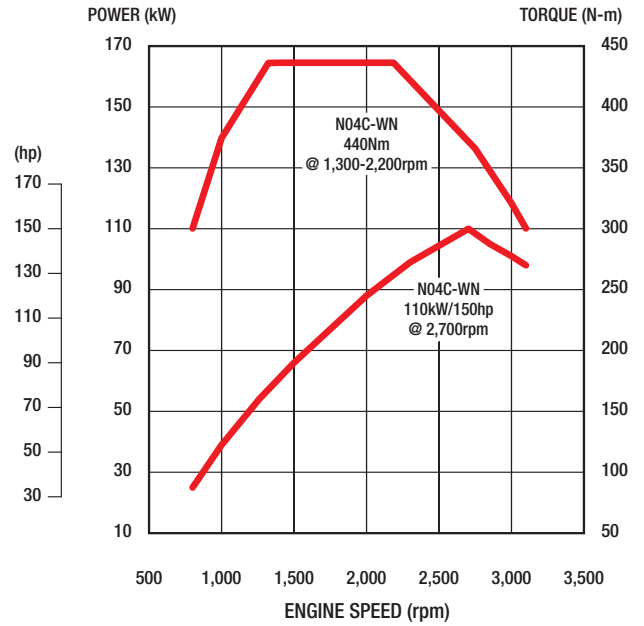
## PERFORMANCE

Calculations based on 6.5T GVM with 205/85R16 tyres	
Engine RPM @ 100 km/h	2,246
Max theoretical speed km/h	134
Gradeability tan @ GVM	60%
Rear axle ratio	4.875

## BRAKES

Type	Ventilated disc front & rear
Control	Dual circuit VOH with power brake assist
Disc diameter	Front 287mm & Rear 287mm
Exhaust Brake	Equipped
Park brake	Drum acting on transmission output shaft

## POWER & TORQUE CHART (ISO NET) N04C-WN



## SAFETY FEATURES

Active Safety Features			
Vehicle Stability Control	VSC	Equipped	
Anti-lock Brakes System	ABS	Equipped	
Pre-Collision System	PCS	Equipped	
PCS is inclusive of	Autonomous Emergency Braking		AEB
	Pedestrian Detection		PD
	Lane Departure Warning System		LDWS
Traction Control	TC	Equipped	
Reverse Camera	RC	Equipped	
Daytime Running Lamps	DRL	Equipped	
Reverse Buzzer	Equipped		
Passive Safety Features			
ECE-R29 Cab Strength Certification		Equipped	
SRS airbags for driver & side passenger		Equipped	
SRS seatbelt pretensioner for driver & side passenger		Equipped	
Shock absorbing & collapsible steering column		Equipped	
Door Beams (anti side intrusion)		Equipped	

## AXLE, SUSPENSION & LOAD LIMITS

FRONT	Front Axle Type	Reverse Elliot I-beam
	Suspension	Taper Leaf sprg, shock absorbers & Stabiliser bar
	Axle Limit (incl suspension)	3,100kg
	Tyre limit	2,570kg
REAR	Rear Axle Model & Type	SH12 fully floating single reduction
	Suspension	Taper Leaf sprg, shock absorbers & Stabiliser bar
	Axle Limit (incl suspension)	5,100kg
	Tyre Limit	4,860kg

## CHASSIS FRAME

Type	Ladder-shaped channel section side rails
Chassis frame wheelbase variants	All
Depth Flange Thickness in mm	192.8 x 65 x 5.9
Chassis width (at rear)	750mm
Tensile Strength	540 N/mm <sup>2</sup>
Tow Hook	Equipped

## WHEELS & TYRES

Wheel type	6-Stud disc wheel (JIS type) PCD 203.2mm
Rim size	16" x 5.5" Offset 113mm
Tyre size	205/85R16 117/115
Number of wheels and tyres	Seven (7) including spare
Spare tyre carrier	Equipped

## FUEL TANK & SUPPLY

Wheelbase variants	All
Material	Steel
Tank Capacity	150L
Lockable fuel cap	Equipped
Fuel Filter	Primary, secondary & sedimenter
Adblue® Tank (L)	13

## ELECTRICAL

Type	24 volt negative earth system
Batteries	12 volt x 60 AH 55D23L x 2
Alternator capacity	80 amp
Starter type	24V-4.5kW
Headlamps and Foglamps	LED
Daytime Running Lamps (DRL's)	LED
Electric horn	Equipped
Reverse Buzzer	Equipped

## STEERING

Type	Telescopic and Tilt adjustable steering column, recirculating ball integral power steering	
Steering Angle	Inside 50°	Outside 36°

## GENUINE ACCESSORY OPTIONS

Bullbar	GPS navigation with live traffic truck spec
Chrome wheel covers	Seat covers (Wool, Canvas, Carbon)
Cameras (up to additional 5 extra)	Stone guard
Dash mat	Sunvisor
Dash Camera (DVR camera system)	Weathershields
Floor mats	

Please check with your dealer for availability, price & fitment

## CAB EXTERIOR

Type	Forward control, all steel, welded construction, torsion-bar tilt mechanism, fully trimmed
Windscreen wipers washers	Dual wiper arms with intermittent & 2 speeds
Grille Colour	Painted same colour as the cab
Outside rearview mirrors	2 Flat type main, heated & electric control 2 convex spotter type, mounted below the main
Windscreen Glass	Heat absorbing laminated glass

## CAB INTERIOR

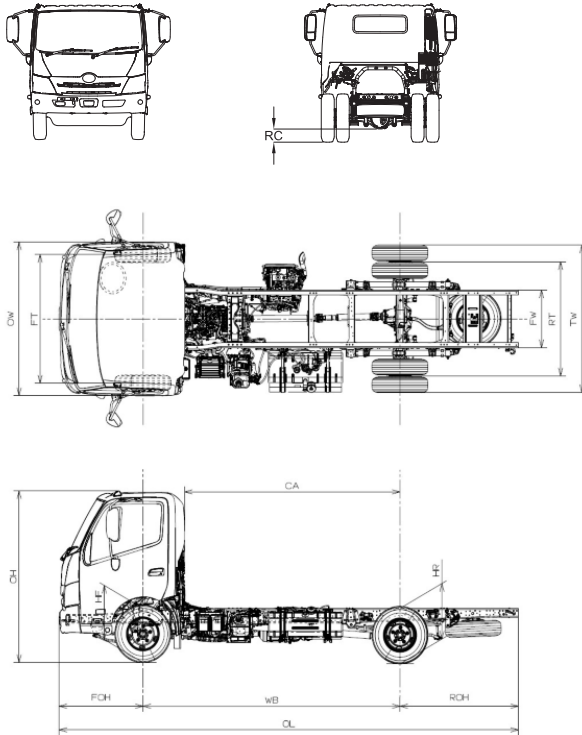
Seating Capacity	Three (3)	
Driver's seat	2-way adjustable, urethane foam pads with suspension	
Assistant's Seat	Fixed bench, split back, urethane foam pads	
Seat Covering	Fabric cover	
Seat belts	Driver's seat	3-point Lap/Sash type with ELR and pre-tensioner
	Assistant's seat	
	Centre seat	2-point Lap type
SRS airbags	Driver & side passenger	
Sun visor & overhead consoles	Driver & side passenger	
Inside rearview mirror	Single centre mounted flat type	
Lighter/24 volt socket	Equipped	
Multimedia unit	10.1" UXGA capacity touch screen, wireless Apple CarPlay and Android auto compatible, AM/FM+RDS/DAB + radio, Bluetooth 5.0 phone and audio, input for up to 6 cameras, USB 2.0 and 3.0, 2.4 Ghz Wi-Fi enabled	
Heater & Air conditioner	Equipped with 4 speed fan	
Central & remote door locking	Equipped with Immobiliser	
Power windows	Equipped	
Drivers footrest	Equipped for Auto models	
Driver's seat back pocket	Equipped	
Centre fold down tray	Equipped	
Cup holders	Sides of dash & centre console	
Tool kit & Jack	Equipped	
1 courtesy & 2 LED reading lights	Equipped	

## INSTRUMENTATION & CONTROLS

<b>Meters &amp; Gauges</b>	<b>Multi Information Display (MID)</b>
Speedometer	Safety feature settings
Tachometer	General information settings
<b>LCD Display</b>	Eco driving
Clock	DPR filter gauge
Battery warning	Cruise control settings
Coolant	<b>Dash mounted switches</b>
Fuel	Heater & A/C controls
ODO meter	LDWS off
<b>Steering wheel &amp; Column controls</b>	PCS off
MID setting	VSC off
Cruise control settings	Headlight leveller
Hands free phone	Hazard lights
Lights & Indicator	DPR manual regeneration
Exhaust brake & wiper washer	

# HINO 300 Series

## 716 Wide Cab



### DIMENSIONS (MM) / WEIGHTS (KG) / CAPACITIES (L)

Model Description	716 AT 3430 WIDE	716 AT 3870 WIDE	
Product Code	XZU710R-WKTQVQ3	XZU720R-WKTQVQ3	
Max Nom Body length (WBx0.6)+CA-80)	4,848	5,552	
Wheelbase (WB)	3,430	3,870	
Overall length (OL)	6,135	6,750	
Cab Width (CW)	1,995		
Over All Width Rear Tyres (OAWRT)	1,970		
Overall height (OH)	2,220		
Cab to rear Axle centre (CA)	2,860	3,300	
Front Overhang (FOH)	1,125		
Rear Overhang (ROH)	1,580	1,755	
Front Chassis Height (FCH)	700	695	
Rear Chassis Height (RCH)	755	760	
Road Clearance (RC)	185		
Front Track (FT)	1,665		
Rear Track (RT)	1,520		
Turning Circle	Kerb to Kerb	11,400	12,800
	Wall to Wall	12,800	14,200
Indicative chassis mass—kg (STD tools, 10 litres of fuel, spare tyre & subject to a +/- 3% tolerance)			
Total	2,515	2,535	
Front	1,690	1,705	
Rear	825	830	
Standard Ratings	GVM	6,500	
	GCM	8,000	
Optional Ratings	GVM	4,499	
	GCM	7,999	

Drawings are for reference only to the table. For specific layouts please refer to the Body Mounting Manual drawings.

### WARRANTY

New vehicle warranty period

Light Duty Model	Axle configuration	Standard warranty (whichever comes first)
300 Series	4 x 2	5 years or 250,000km

Battery warranty – 12 months from date of delivery

\* For conditions, refer to the Hino Parts & Service warranty brochure

Genuine parts or accessories warranty – 3 years unlimited kilometres when fitted by an authorised Hino dealer \*



### DISCLAIMER

Important notice – Hino Trucks are distributed in Australia by Hino Motor Sales Australia Pty Ltd A C N 064 989 724. All efforts have been made to ensure the information contained in this brochure was correct at time of printing or uploading. Hino Motor Sales Australia Pty Ltd reserves the right to alter any details of the specifications and equipment without notice. Hino in so far as it is permitted by law to do so, shall not be liable in any way as a result of any reliance placed by any person on anything contained in this brochure. You should therefore check with your authorised Hino dealer at the time of ordering your motor vehicle to ensure that colour, specifications, equipment, design features and options are available for the vehicle you are ordering. Please note that some options may only be available in combination with others. Authorised Hino dealers will on request provide up to date information on all accessories, design features, prices & availability. \*\*Maximum Cruise control setting 106 km/h. \*\*\* GVM ratings of 4,499kg are conditional that the ADR definition of a "Goods Vehicle" can be met.