

300 Series STD Cab & Chassis Drawings for 616 Diesel & Hybrid models

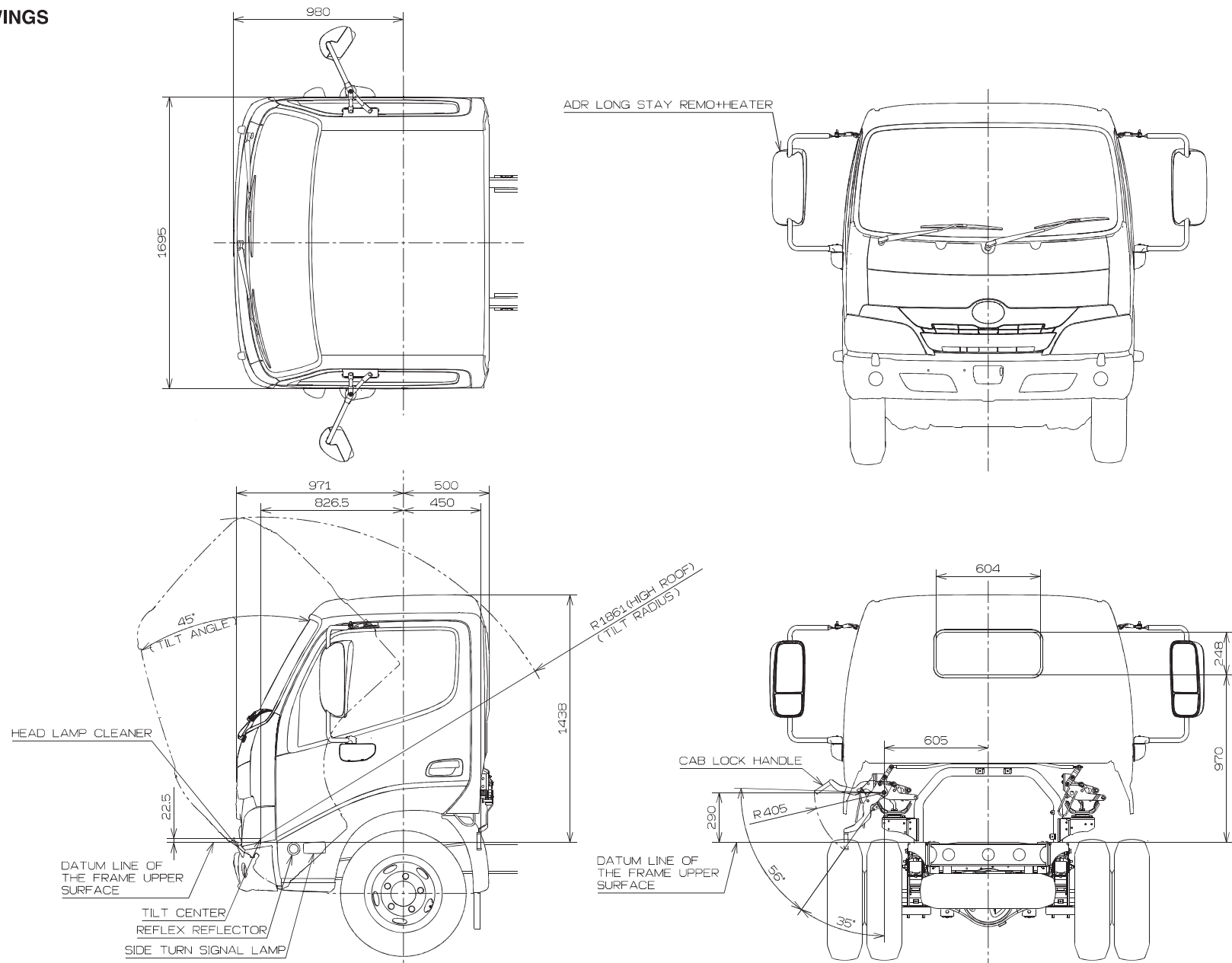
Model	Product Code	CAB	Chassis
616 AT 2525 STD	XZU605R-WKTMVQ3	C-1	CH-1
616 AT 3375 STD	XZU655R-WKTMVQ3	C-1	CH-2
616 AMT 3375 STD HYBRID	XKU655R-WKVMVQ3	C-1	CH-6

For additional information please refer to the applicable Body Mounting Manual

1. CAB DRAWINGS

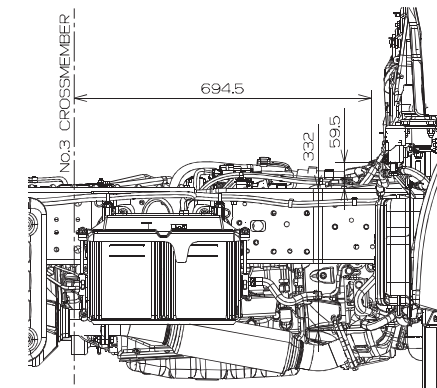
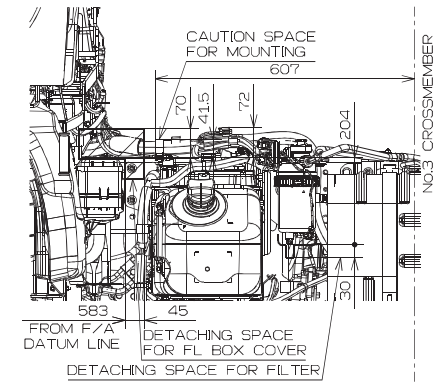
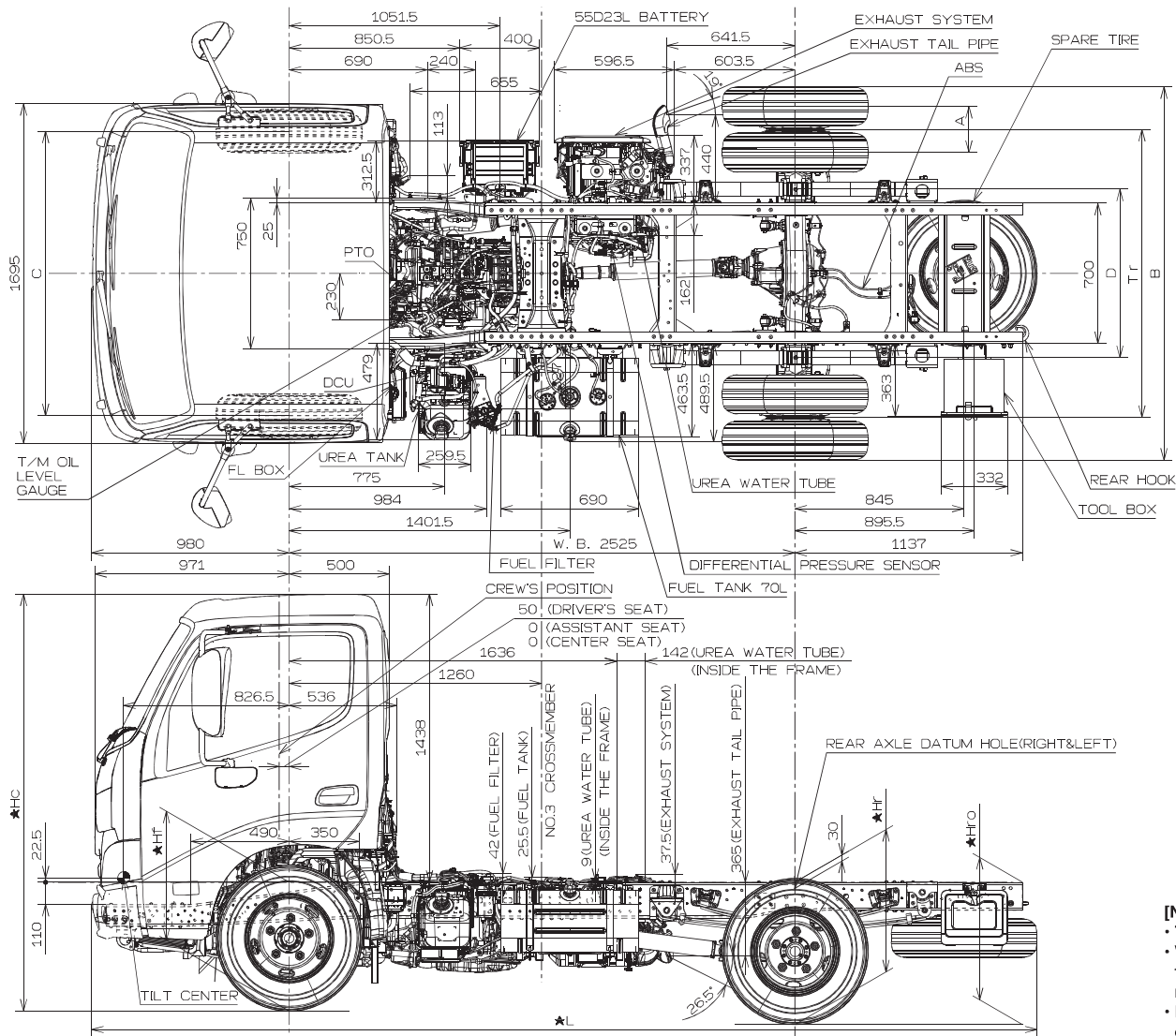
No. C-1

Unit : mm



No. CH-1

Unit : mm

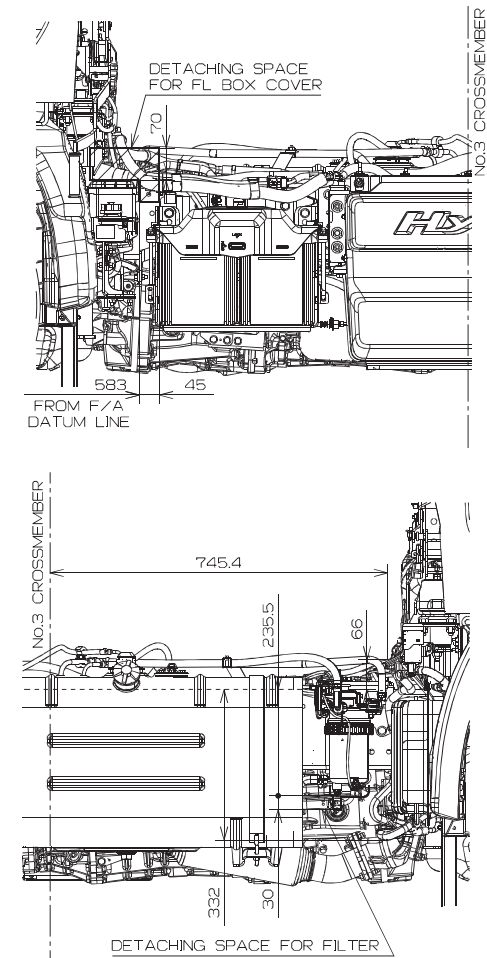
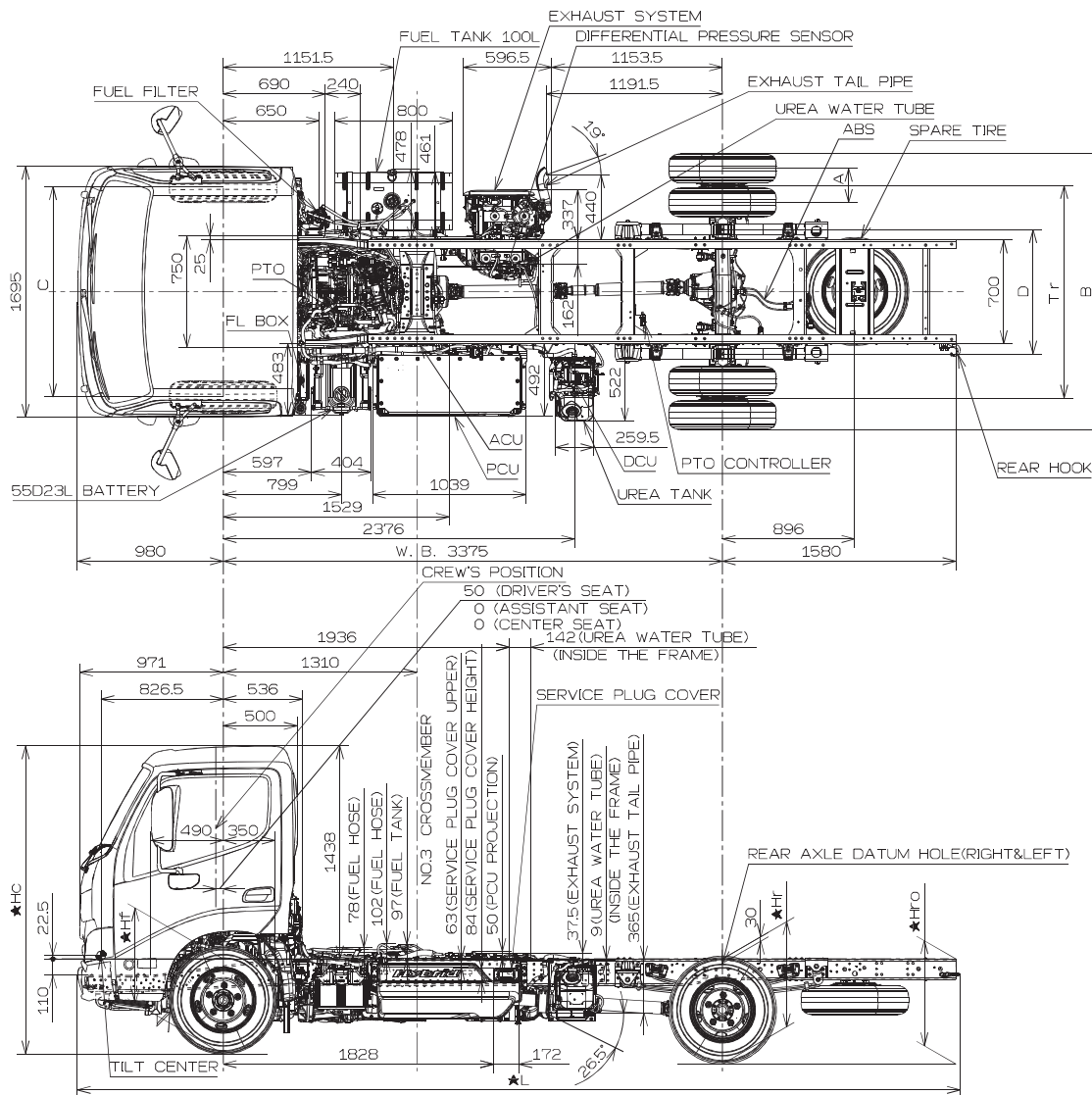


[NOTE]

- The dimensions described above are designed figure under the chassis condition.
- When selected or fitted optional equipment or local parts such as tire, leaf spring, fuel tank and etc., should be examined the frame height from ground by body manufacturer.
- Figures marked "★" dimensions are measured in parallel with the surface of the ground.

No. CH-6

Unit : mm



[NOTE]

- The dimensions described above are designed figure under the chassis condition.
- When selected or fitted optional equipment or local parts such as tire, leaf spring, fuel tank and etc., should be examined the frame height from ground by body manufacturer.
- Figures marked "★" dimensions are measured in parallel with the surface of the ground.