

# HINO 300 Series

## 616 Tipper Range



\*Image may contain items not standard to the model

**4 x 2 Cab Chassis**

## KEY FEATURES

- Factory Tipper bodies with drop sides
- STD & Wide cab variants
- Pre-Collision System (PCS) including AEB & PD
- Vehicle Stability Control (VSC)
- Lane Departure Warning System (LDWS)
- Daytime Running Lamps (DRL)
- Dual SRS Airbags
- Reverse Camera
- ECE R-29 Cab Strength Certified
- Cruise Control\*\*
- ADR 80/04 Emission level using Euro 6 Standard

## KEY SPECIFICATIONS

<b>GVM.</b>	4,499kg
	optional 5,500kg
<b>GCM.</b>	8,000kg
<b>Power</b>	150hp/110kW
<b>Torque</b>	440Nm
<b>Transmissions</b>	6 Speed Automatic
<b>Wheelbases</b>	2.5m, 2.8m
<b>Max Nominal Body Length</b>	3.0m



## ENGINE

Model	Hino N04C-WN
Max. output (ISO Net) @ 2,700rpm	150hp/110kW
Max. torque (ISO Net) @ 1,300-2,200rpm	440Nm
Max. engine RPM	3,000
Engine compliance	ADR 80/04 using Euro 6 Standard
Type	Diesel, turbo & intercooled, 4 cylinder, OHV
Combustion system	Direct injection with EGR
Bore & stroke	104 x 118 mm
Piston displacement	4.009L
Fuel injection system	Electric control common rail
Air cleaner & intake	Under cab mounting dry paper element
Exhaust system	Horizontal outlet RHS
Emission control systems	DPR, DOC and SCR after treatments
Engine immobiliser	Equipped

## TRANSMISSION & GEAR RATIOS

Make, model & Description	AUTOMATIC	
	Hino A862E 6 speed with double overdrive	
GEAR RATIOS	1	3.742
	2	2.003
	3	1.343
	4	1.000
	5	0.773
	6	0.634
	Reverse	3.539
Torque Convertor & Ratio	1.951	

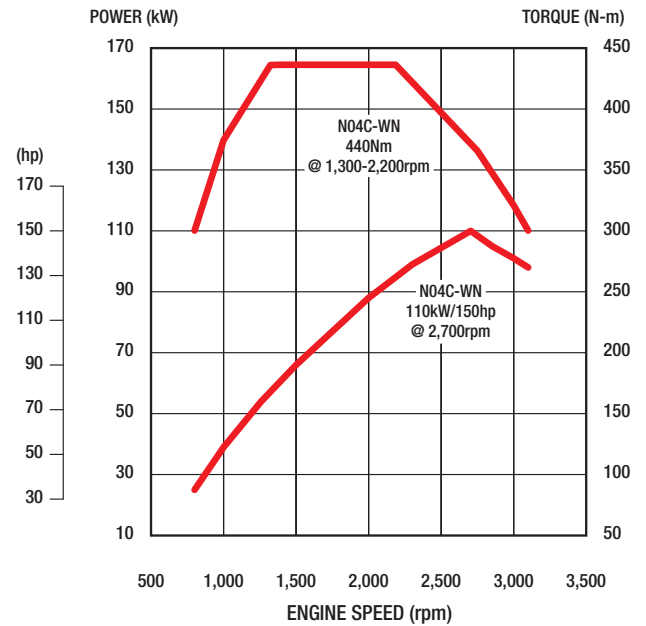
## PERFORMANCE

Models	616 STD	616 WIDE
Engine RPM @ 100 km/h	2,230	2,165
Max theoretical speed km/h	135	
Gradeability tan @ GVM	60%	
Rear axle ratio	4.625	

## BRAKES

Type	Ventilated disc front & rear
Control	Dual circuit VOH with power brake assist
Disc diameter	Front 296mm & Rear 281 mm
Exhaust Brake	Equipped
Park brake	Drum acting on transmission output shaft

## POWER & TORQUE CHART (ISO NET) N04C-WN



## SAFETY FEATURES

Active Safety Features			
Vehicle Stability Control	VSC	Equipped	
Anti-lock Brakes System	ABS	Equipped	
Pre-Collision System	PCS	Equipped	
PCS is inclusive of	Autonomous Emergency Braking		AEB
	Pedestrian Detection		PD
	Lane Departure Warning System		LDWS
Traction Control	TC	Equipped	
Reverse Camera	RC	Equipped	
Daytime Running Lamps	DRL	Equipped	
Reverse Buzzer	Equipped		
Passive Safety Features			
ECE-R29 Cab Strength Certification		Equipped	
SRS airbags for driver & side passenger		Equipped	
SRS seatbelt pretensioner for driver & side passenger		Equipped	
Shock absorbing & collapsible steering column		Equipped	
Door Beams (anti side intrusion)		Equipped	

## AXLE, SUSPENSION & LOAD LIMITS

FRONT	Front Axle Type	IFS	I Beam
	Suspension	Coil spring	Taper leaf
	Axle Limit (incl suspension)	2,400kg	2,600kg
	Tyre limit	2,180kg	2,360kg
REAR	Rear Axle Model & Type	SH12 fully floating single reduction	
	Suspension	Taper leaf springs with Shock absorbers	
	Axle Limit (incl suspension)	4,400kg	
	Tyre Limit	4,120kg	4,400kg

## CHASSIS FRAME

Type	Ladder-shaped channel section side rails	
Model	616 STD	616 WIDE
Depth Flange Thickness in mm	177.8 x 60 x 4.9	190.8 x 65 x 4.9
Chassis width (at rear)	700mm	750mm
Tensile Strength	540 N/mm <sup>2</sup>	
Tow Hook	Equipped (Front and Rear)	

## WHEELS & TYRES

Model	616 STD	616 WIDE
Wheel type	5-Stud disc wheel (JIS type) PCD 203.2mm	
Rim size	16" x 5.5" Offset 113mm	
Tyre size	185/85R16 111/109	195/85R16 114/112
Number of wheels and tyres	Seven (7) including spare	
Spare tyre carrier	Equipped	

## FUEL TANK & SUPPLY

Model	616 STD	616 WIDE
Material	Steel	
Tank Capacity	70L	80L
Lockable fuel cap	Equipped	
Fuel Filter	Primary, secondary & sedimenter	
Adblue® Tank (L)	13	

## ELECTRICAL

Type	24 volt negative earth system
Batteries	12 volt x 60 AH 55D23L x 2
Alternator capacity	80 amp
Starter type	24V-4.5kW
Headlamps & Foglamps	LED
Day time Running Lamps (DRL's)	LED
Electric horn	Equipped
Reverse Buzzer	Equipped

## STEERING

Type	Telescopic and Tilt adjustable steering column, Rack & Pinion with integral power steering		
Steering Angle	616 STD	Inside 39°	Outside 35°
	616 WIDE	Inside 51°	Outside 36°

## GENUINE ACCESSORY OPTIONS

Bullbar	GPS navigation with live traffic truck spec
Chrome wheel covers	Nudge bar
Cameras (up to additional 5 extra)	Seat covers (Wool, Canvas, Carbon)
Dash Camera (DVR camera system)	Stone guard
Dash mat	Sunvisor
Floor mats	Weathershields

Please check with your dealer for availability, price & fitment

## CAB EXTERIOR

Type	Forward control, all steel, welded construction, torsion-bar tilt mechanism, fully trimmed
Windscreen wipers washers	Dual wiper arms with intermittent & 2 speeds
Grille Colour	Painted same colour as the cab
Outside rearview mirrors	2 Flat type main, heated & electric control
	2 convex spotter type, mounted below the main
Windscreen Glass	Heat absorbing laminated glass

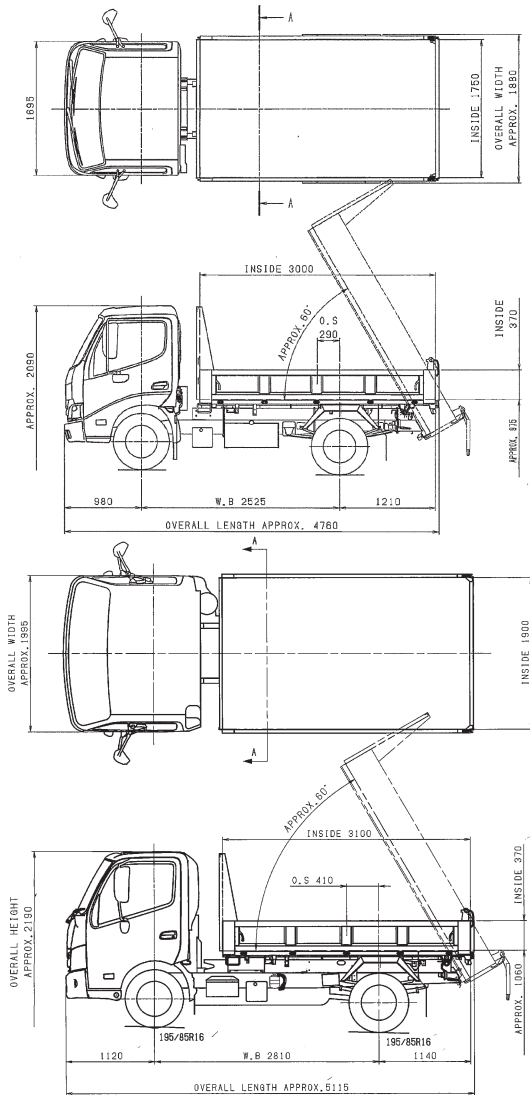
## CAB INTERIOR

Seating Capacity	Three (3)	
Driver's seat	2-way adjustable, urethane foam pads	
Assistant's Seat	Fixed bench, split back, urethane foam pads	
Seat Covering	Fabric cover	
Seat belts	Driver's seat	3-point Lap / Sash type with ELR and pre-tensioner
	Assistant's seat	
	Centre seat	2-point Lap type
SRS airbags	Driver & side passenger	
Sunvisor & overhead consoles	Driver & side passenger	
Inside rearview mirror	Single centre mounted flat type	
Lighter / 24 volt socket	Equipped	
Multimedia system	10.1" UXGA capacity touch screen, wireless Apple CarPlay and Android auto compatible, AM/FM+RDS/DAB + radio, Bluetooth 5.0 phone and audio, input for up to 6 cameras, USB 2.0 and 3.0, 2.4 Ghz Wi-Fi enabled	
Heater & Air conditioner	Equipped with 4 speed fan	
Central & remote door locking	Equipped with Immobiliser	
Power windows	Equipped	
Drivers footrest	Equipped for Auto models	
Driver's seat back pocket	Equipped	
Centre fold down tray	Equipped	
Cup holders	Sides of dash	
Tool kit & Jack	Equipped	
1 courtesy & 2 LED reading lights	Equipped	

## INSTRUMENTATION & CONTROLS

<b>Meters &amp; Gauges</b>	<b>Multi Information Display (MID)</b>
Speedometer	Safety feature settings
Tachometer	General information settings
<b>LCD Display</b>	Eco driving
Clock	DPR filter gauge
Battery warning	Cruise control settings
Coolant	<b>Dash mounted switches</b>
Fuel	Heater & A/C controls
ODO meter	LDWS off
<b>Steering wheel &amp; Column controls</b>	PCS off
MID setting	VSC off
Cruise control settings	Headlight leveller
Hands free phone	Hazard lights
Lights & Indicator	DPR manual regeneration
Exhaust brake & wiper washer	

## 616 Tipper Range



### DIMENSIONS (MM) / WEIGHTS (KG) / CAPACITIES (L)

Model Description	616 AT 2525 STD TIPPER	616 AT 2810 WIDE TIPPER	
Product Code	XZU605R-WKTMVQ3T	XZU700R-WKTMVQ3T	
Body cubic capacity	1.9m <sup>3</sup>	2.1m <sup>3</sup>	
Deck, front and tailgate thickness	3.2mm		
Drop side thickness	2.3mm		
Tipping angle	60°		
Hydraulic cylinder bore and stroke	100 x 350mm		
Hydraulic pump model	VC02-16		
Control	Lever in the cab		
Rope hooks	Equipped		
Shovel holder	Equipped		
Tailgate operation	Auto release from bottom		
Cab width	1,695	1,995	
Wheelbase	2,525	2,810	
Overall length	4,760	5,115	
Overall height	2,090	2,190	
Turning Circle	Kerb to Kerb	9,600	9,800
	Wall to Wall	10,800	11,200
Indicative chassis mass—kg (STD tools, 10 litres of fuel, spare tyre & subject to a +/- 3% tolerance)			
Total	2,840	3,135	
Front	1,540	1,785	
Rear	1,300	1,350	
Standard Ratings	GVM	4,499	
	GCM	7,999	
Optional Ratings	GVM	5,500	
	GCM	8,000	

Drawings are for reference only to the table. For specific layouts please refer to the Body Mounting Manual drawings.

### WARRANTY

New vehicle warranty period

Light Duty Model	Axle configuration	Standard warranty (whichever comes first)
300 Series	4 x 2	5 years or 250,000km

Battery warranty – 12 months from date of delivery

\* For conditions, refer to the Hino Parts & Service warranty brochure

Genuine parts or accessories warranty – 3 years unlimited kilometres when fitted by an authorised Hino dealer \*



### DISCLAIMER

Important notice – Hino Trucks are distributed in Australia by Hino Motor Sales Australia Pty Ltd A C N 064 989 724. All efforts have been made to ensure the information contained in this brochure was correct at time of printing or uploading. Hino Motor Sales Australia Pty Ltd reserves the right to alter any details of the specifications and equipment without notice. Hino in so far as it is permitted by law to do so, shall not be liable in any way as a result of any reliance placed by any person on anything contained in this brochure. You should therefore check with your authorised Hino dealer at the time of ordering your motor vehicle to ensure that colour, specifications, equipment, design features and options are available for the vehicle you are ordering. Please note that some options may only be available in combination with others. Authorised Hino dealers will on request provide up to date information on all accessories, design features, prices & availability. \*\*Maximum Cruise control setting 106 km/h. \*\*\* GVM ratings of 4,499kg are conditional that the ADR definition of a "Goods Vehicle" can be met.