

HINO 300 Series

Hybrid Electric – TradeAce STD & Wide Cab



*Image may contain items not standard to the model

4 x 2 Cab Chassis

KEY FEATURES

Aluminium Tray with drop sides and Ladder racks
Premium Bull bar (Wide Cab) Nudge Bar (STD Cab)
Pre-Collision System (PCS) including AEB & PD
Vehicle Stability Control (VSC)
Lane Departure Warning System (LDWS)
Dual SRS Airbags
Reverse Camera
ECE R-29 Cab Strength Certified
Cruise Control**
ADR 80/04 Emission level using Euro 6 Standard
Hybrid drive system
STD and Wide cab variants
Hino Connect Telematics

KEY SPECIFICATIONS

GVM Range 4,499kg to 6,500kg
GCM Range GVM + 3,500kg
Power 150hp/110kW
Torque (including Hybrid drive) 470Nm
Transmission 6 spd Automated Transmission
STD Cab Body Length x Width 4.4m x 1.8m
Wide Cab Body Length x Width 4.4 x 2.1 3.4m, 3.9m

Check the back page for individual variant dimensions & ratings



ENGINE

Engine model	Hino N04C-WR
Max. output (ISO Net) @ 2,700rpm	150hp/110kW
Max. torque (ISO Net) @ 1,200rpm	470Nm
Max. engine RPM	3,000
Engine compliance	ADR 80/04 using Euro 6 Standard
Type	Diesel, turbo & intercooled, 4 cylinder, OHV
Combustion system	Direct injection with EGR
Bore & stroke	104 x 118 mm
Piston displacement	4.009L
Fuel injection system	Electric control common rail
Air cleaner & intake	Dry paper element
Exhaust system	Horizontal outlet RHS
Emission control systems	DPR & SCR after treatments
Engine immobiliser	Equipped

CLUTCH

Type	Dry Single plate with auto adjuster
Facing Diameter	300mm
Control	Electronic with transmission

HYBRID DRIVE SYSTEM

Motor type	AC Synchronous motor
Rated voltage	201V
Max output	35kW @ 1600rpm
Idle stop	Equipped
Battery type	Nickel-Metal Hydride
Battery capacity	6.5 Ah

TRANSMISSION & GEAR RATIOS

Make, Model & Type	Hino RE62 6 speed with single overdrive	
Description	Automated Transmission, incorporating Hybrid electric drive	
GEAR RATIOS	1	6.370
	2	3.870
	3	2.148
	4	1.461
	5	1.000
	6	0.703
	Reverse	5.926

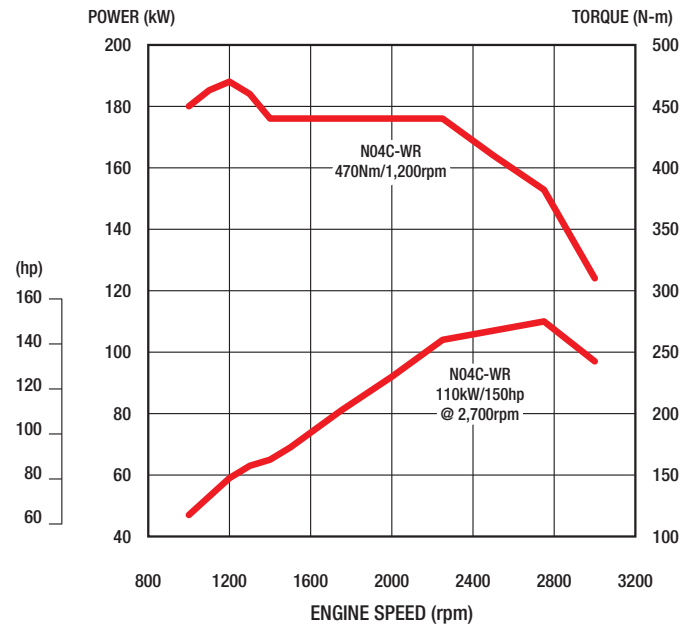
PERFORMANCE

Models	616 STD	616 Wide	716 Wide
Engine RPM @ 100 km/h	2240	2133	2,090
Max theoretical speed km/h	138	140	144
Gradeability tan @ GVM	60%	60%	50.1%
Rear axle ratio	4.333	4.1	4.100

BRAKES

Type	Ventilated disc front & rear
Control	Dual circuit VOH with power brake assist
ES Start	Equipped
Exhaust Brake	Equipped
Park brake	Drum acting on transmission output shaft

POWER & TORQUE CHART (ISO NET) N04C-WR



SAFETY FEATURES

Active Safety Features		
Vehicle Stability Control	VSC	Equipped
Anti-lock Brakes System	ABS	Equipped
Pre-Collision System	PCS	Equipped
PCS is inclusive of	Autonomous Emergency Braking	AEB
	Pedestrian Detection	PD
	Lane Departure Warning System	LDWS
Traction Control	TC	Equipped
Reverse Camera	RC	Equipped
ES Start	ES	Equipped
Reverse Buzzer		Equipped
Passive Safety Features		
ECE-R29 Cab Strength Certification		Equipped
SRS airbags for driver & side passenger		Equipped
SRS seatbelt pretensioner for driver & side passenger		Equipped
Shock absorbing & collapsible steering column		Equipped
Door Beams (anti side intrusion)		Equipped

AXLE, SUSPENSION & LOAD LIMITS

Models	616 STD	616 Wide	716 Wide	
FRONT	Front Axle Type	IFS	Reverse Elliot I-beam	
	Suspension	Coil Sprg	Taper Leaf sprg with stabiliser	
	Axle Limit (incl suspension)	2,400kg	2,600kg	3,100kg
	Tyre limit	2,180kg	2,360kg	2,570kg
REAR	Rear Axle Model	SH12		
	Type	Fully floating single reduction		
	Suspension	Taper Leaf sprg, shock absorbers & Stabiliser bar		
	Axle Limit (incl suspension)	4,400kg	4,400kg	5,100kg
	Tyre Limit	4,120kg	4,400kg	4,860kg

CHASSIS FRAME

Type	Ladder-shaped channel section side rails		
Model	616 STD	616 Wide	716
Depth Flange Thickness in mm	177.8 x 60 x 4.9	190.8 x 65 x 4.9	192.8 x 65 x 5.9
Chassis width (at rear)	700mm	750mm	
Tensile Strength	540 N/mm ²		
Tow Hook	Equipped		

WHEELS & TYRES

Models	616 STD	616 Wide	716
Wheel type	5-Stud JIS		6-Stud JIS
Pitch Circle Diameter (PCD)	203.2mm		
Rim size	16" x 5.5"		
Tyre size	185/85R16	195/85R16	205/85R16
Number of wheels and tyres	Seven (7) including spare		
Spare tyre carrier	Equipped		

FUEL TANK & SUPPLY

Models	616 STD	616 Wide/716
Material	Steel	
Tank Capacity (L)	100	80
Lockable fuel cap	Equipped	
Fuel Filter	Primary, secondary & sedimenter	
Adblue [®] Tank (L)	13	

ELECTRICAL

Type	24 volt negative earth system
Batteries	12 volt x 60 AH 55D23L x 2
Charging	80 amp supplied by Hybrid system
Engine Starter	Supplied by Hybrid system
Headlamps & Foglamps	LED
Electric horn	Equipped
Reverse Buzzer	Equipped

STEERING

Type	Telescopic and Tilt adjustable steering column, recirculating ball integral power steering		
Model	616	616 Wide	716
Steering Angle	Inside	39°	51°
	Outside	35°	36°

GENUINE ACCESSORY OPTIONS

Bullbar	GPS nav with live traffic truck spec
Chrome wheel covers	Nudge Bar (STD Cab only)
Cameras (up to additional 5 extra)	Seat covers (Wool, Canvas, Carbon)
Dash Camera (DVR camera system)	Stone guard
Dash mat	Sunvisor
Floor mats	Weathershields

Please check with your dealer for availability, price & fitment

CAB EXTERIOR

Type	Forward control, all steel, welded construction, torsion-bar tilt mechanism, fully trimmed
Windscreen wipers washers	Dual wiper arms with intermittent & 2 speeds
Grille Colour	Painted same colour as the cab
Outside rearview mirrors	2 Flat type main, heated & electric control
	2 convex spotter type, mounted below the main
Windscreen Glass	Heat absorbing laminated glass

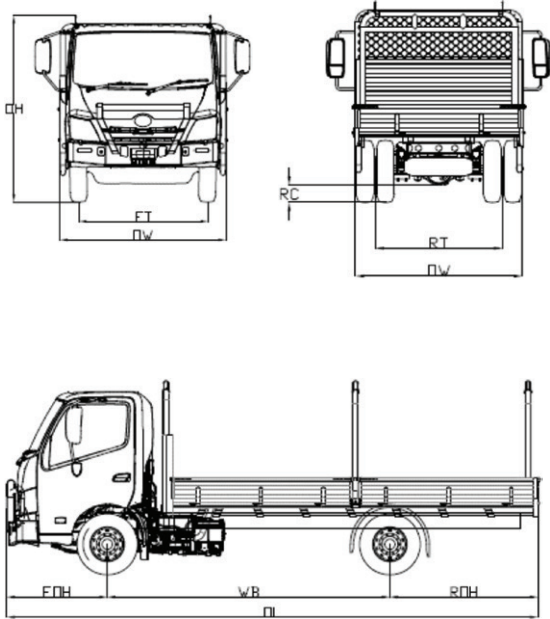
CAB INTERIOR

Seating Capacity	Three (3)
Driver's seat	2-way adjustable, urethane foam pads
	Suspension base for Wide cab models
Assistant's Seat	Fixed bench, split back, urethane foam pads
Seat Covering	Fabric cover
Seat belts	Driver's seat
	Assistant's seat
	Centre seat
3-point Lap/Sash type with ELR and pre-tensioner	
2-point Lap type	
SRS airbags	Driver & side passenger
Sun visor & overhead consoles	Driver & side passenger
Inside rearview mirror	Single centre mounted flat type
Lighter/24 volt socket	Equipped
Multimedia unit	10.1" UXGA capacity touch screen, wireless Apple CarPlay and Android auto compatible, AM/FM+RDS/DAB + radio, Bluetooth 5.0 phone and audio, input for up to 6 cameras, USB 2.0 and 3.0, 2.4 Ghz Wi-Fi enabled
Heater & Air conditioner	Equipped with 4 speed fan
Central & remote door locking	Equipped with Immobiliser
Power windows	Equipped
Drivers footrest	Equipped
Driver's seat back pocket	Equipped
Centre fold down tray	Equipped
Cup holders	Sides of dash, & centre console (Wide cab only)
Tool kit & Jack	Equipped
1 courtesy & 2 LED reading lights	Equipped

INSTRUMENTATION & CONTROLS

Meters & Gauges	Multi Information Display (MID)
Speedometer	Safety feature settings
Tachometer	General information settings
LCD Display	Eco driving
Clock	DPR filter gauge and SCR warning
Battery warning	Cruise control settings
Coolant	Dash mounted switches
Fuel and Adblue [®]	Heater & A/C controls
ODO meter	ES Start
Steering wheel & Column controls	LDWS off
MID setting	PCS off
Cruise control settings	VSC off
Hands free phone	Headlight leveller
Lights & Indicator	Hazard lights
Exhaust brake & wiper washer	DPR manual regeneration

Hybrid Electric – TradeAce STD & Wide Cab



DIMENSIONS (MM) / WEIGHTS (KG) / CAPACITIES (L)

Model Description	616 AT 3375 STD HYBRID TradeAce	616 AT 3430 Wide HYBRID TradeAce	716 AT 3430 Wide HYBRID TradeAce	
Product Code	XKU655R-WKVMVQ3 TA	XKU710R-WKVMVQ3 TA	XKU710R-WKVQVQ3 TA	
ALLOY TRAY BODY DETAILS				
Internal body length	4,435			
Internal body width	1,800	2,055		
Floor rating	4,000			
Drop side height	257	365		
Ladder Racks	2			
Ladder Rack rating (total kg)	350			
Front steps	Equipped Left & Right sides			
DIMENSIONS - (MM) / WEIGHTS - (kg)				
Wheelbase (WB)	3,375	3,430		
Overall length (OL)	6,120	6,335		
Overall width (OW)	1,880	2,135		
Cab width	1,695	1,995		
Overall height (OH)	2,300	2,460	2,500	
Front Overhang (FOH)	980	1,125		
Road Clearance (RC)	170		185	
Front Track (FT)	1,400	1,655		
Rear Track (RT)	1,435	1,480		
Turning circle	Kerb to Kerb	12,600	11,800	11,400
	Wall to Wall	13,800	13,200	12,800
Indicative chassis mass - kg (STD tools, 10 litres of fuel, spare tyre & subject to a +/- 3% tolerance)				
Total	2,628	2,905	3,020	
Front	1,601	1,834	1,879	
Rear	1,027	1,071	1,141	
Standard Ratings	GVM	4,499	6,500	
	GCM	7,999	10,000	
Optional Ratings	GVM	5,500	4,499	
	GCM	8,000	7,999	

Drawings are for reference only to the table. For specific layouts please refer to the Body Mounting Manual drawings.

WARRANTY

New vehicle warranty period

Light Duty Model	Axle configuration	Standard warranty (whichever comes first)	Hybrid Nickel metal Hydride Battery (whichever comes first)
300 Hybrid Range	4 x 2	5 years or 250,000km	5 years or 250,000km

Battery warranty – 12 months from date of delivery

* For conditions, refer to the Hino Parts & Service warranty brochure

Genuine parts or accessories warranty – 3 years unlimited kilometres when fitted by an authorised Hino dealer *



DISCLAIMER

Important notice – Hino Trucks are distributed in Australia by Hino Motor Sales Australia Pty Ltd A C N 064 989 724. All efforts have been made to ensure the information contained in this brochure was correct at time of printing or uploading. Hino Motor Sales Australia Pty Ltd reserves the right to alter any details of the specifications and equipment without notice. Hino in so far as it is permitted by law to do so, shall not be liable in any way as a result of any reliance placed by any person on anything contained in this brochure. You should therefore check with your authorised Hino dealer at the time of ordering your motor vehicle to ensure that colour, specifications, equipment, design features and options are available for the vehicle you are ordering. Please note that some options may only be available in combination with others. Authorised Hino dealers will on request provide up to date information on all accessories, design features, prices & availability. **Maximum Cruise control setting 106 km/h. *** GVM ratings of 4,499kg are conditional that the ADR definition of a "Goods Vehicle" can be met.